

İÇİNDEKİLER/CONTENT

SAPLI FREZE BIÇAKLARI 2-10

ÇOKLU DELİK MATKAPLARI 11

CNC BIÇAKLARI 12-13

DEĞİŞTİRİLEBİLİR JİLET BIÇAKLAR 14-15

PLANYA BIÇAKLARI 16

PANÇLAR VE ADAPTÖRLER 18-19

JİLETLER 20

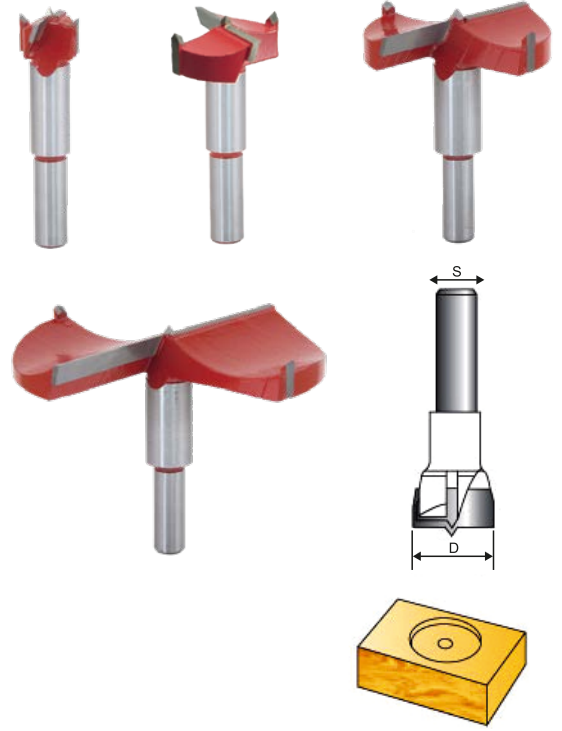
ELMAS TESTERELER 22-24

DELİKLİ FREZE BIÇAKLARI 25-31

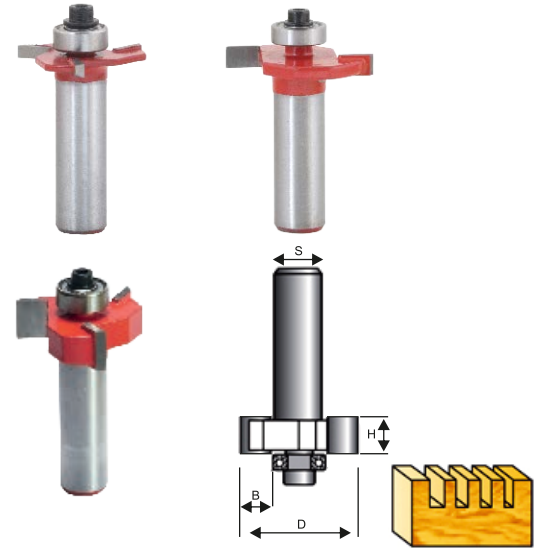
BİLEME TAŞLARI 32

PART NO: 01 MENTEŞE VE KİLİT YERİ MATKABI / HINGE BORING BIT

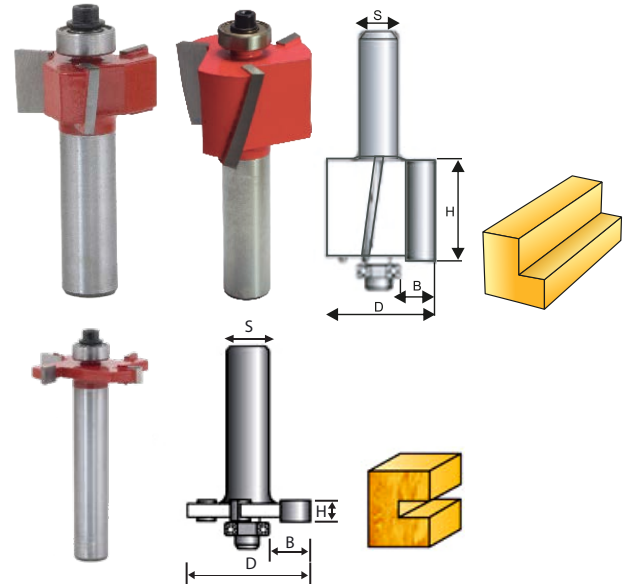
KOD	S (mm)	D (mm)	FİYAT (PRICE)
DRB0101	10	15	8,00 \$
DRB0102	10	18	8,00 \$
DRB0103	10	19	8,00 \$
DRB0104	10	20	8,50 \$
DRB0105	10	22	8,50 \$
DRB0106	10	25	8,75 \$
DRB0107	10	26	8,75 \$
DRB0108	10	28	9,00 \$
DRB0109	10	30	9,50 \$
DRB0110	10	33	9,75 \$
DRB0111	10	35	10,00 \$
DRB0112	12	40	15,00 \$
DRB0113	12	45	17,00 \$
DRB0114	12	50	19,00 \$
DRB0115	12	54	20,00 \$
DRB0116	12	55	21,00 \$
DRB0117	12	60	23,00 \$
DRB0118	12	65	25,00 \$
DRB0119	12	70	33,00 \$
DRB0120	12	75	36,00 \$
DRB0121	12	80	40,00 \$
DRB0122	12	90	45,00 \$
DRB0123	12	100	50,00 \$


PART NO: 02 CAM YERİ BIÇAĞI / "T" TYPE BIT WITH BEARING

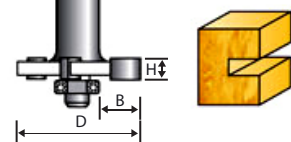
KOD	S (mm)	D (mm)	H (mm)	B(mm)	Z	FİYAT (PRICE)
DRB0201	12	33	3	10,50	2	7,00 \$
DRB0202	12	33	3	10,50	3	11,00 \$
DRB0203	12	33	4	10,50	2	7,00 \$
DRB0204	12	33	4	10,50	3	11,00 \$
DRB0205	12	33	5	10,50	2	7,00 \$
DRB0206	12	33	5	10,50	3	11,00 \$
DRB0207	12	33	6	10,50	2	7,00 \$
DRB0208	12	33	6	10,50	3	11,00 \$
DRB0209	12	33	8	10,50	3	12,00 \$
DRB0210	12	33	10	10,50	3	12,00 \$


PART NO: 03 LAMBA BIÇAĞI / RABBETING BIT

KOD	S (mm)	D (mm)	H (mm)	B(mm)	Z	FİYAT (PRICE)
DRB0301	12	33	12	10,50	3	12,50 \$
DRB0302	12	33	14	10,50	3	13,00 \$
DRB0303	12	33	16	10,50	3	13,50 \$
DRB0304	12	33	18	10,50	3	14,00 \$
DRB0305	12	33	20	10,50	3	14,00 \$
DRB0306	12	35	25	10,50	2	10,00 \$
DRB0307	12	35	25	10,50	3	15,00 \$
DRB0308	12	39	25	13	3	18,00 \$
DRB0309	12	35	30	10,50	3	16,00 \$

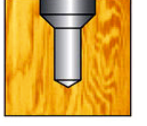
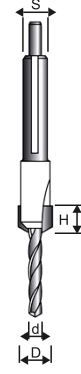

PART NO: 04 CAM YERİ BIÇAĞI (16mm DALMALI) / "T" TYPE BIT WITH BEARING AND Z

KOD	S (mm)	D (mm)	H (mm)	B(mm)	Z	FİYAT (PRICE)
DRB0401	12	46	6	16	4	16,00 \$



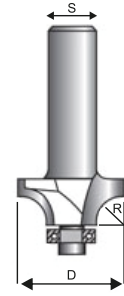
PART NO: 05 HAVŞA BIÇAĞI / T.C.T ADJUSTABLE COUNTERSINK BIT

KOD	S (mm)	d (mm)	D (mm)	H (mm)	FİYAT (PRICE)
DRB0501	10	3	10	10	4,50 \$
DRB0502	10	3	8	10	4,50 \$
DRB0503	10	3,50	10	10	5,00 \$
DRB0504	10	4	10	10	6,00 \$
DRB0505	10	5	10	10	7,00 \$



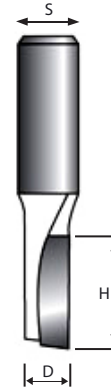
PART NO: 06 BALIK SIRTI RADÜS BIÇAĞI / CORNER ROUND BIT

KOD	S (mm)	D (mm)	R (mm)	FİYAT (PRICE)
DRB0601	12	18,70	3	7,50 \$
DRB0602	12	22,70	5	7,50 \$
DRB0603	12	25,20	6	7,50 \$
DRB0604	12	28,70	8	8,00 \$
DRB0605	12	32,50	10	8,50 \$
DRB0606	12	36,70	12	10,00 \$
DRB0607	12	42,70	15	12,00 \$
DRB0608	12	52,40	20	15,00 \$
DRB0609	12	62,40	25	18,00 \$
DRB0610	12	72,70	30	20,00 \$



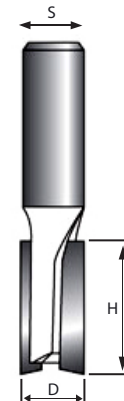
PART NO: 07 KANAL AÇMA BIÇAĞI TEK AĞIZLI / ONE FLUTE STRAIGHT BIT

KOD	S (mm)	D (mm)	H (mm)	FİYAT (PRICE)
DRB0701	6	3	10	5,00 \$
DRB0702	6	4	15	5,00 \$
DRB0703	6	5	15	5,00 \$



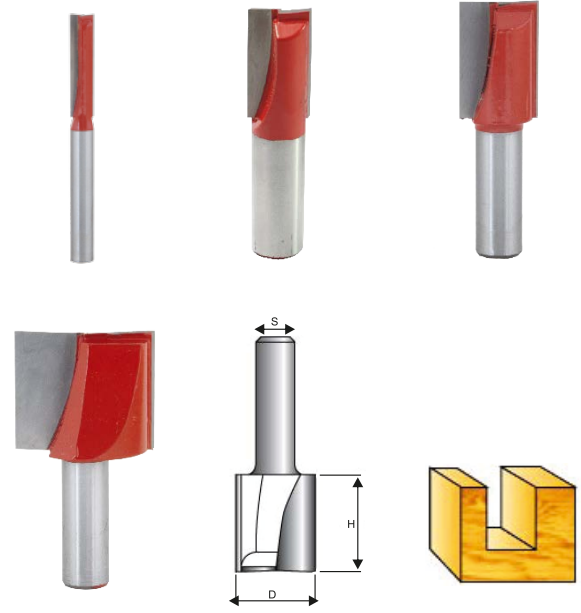
PART NO: 08 KANAL AÇMA BIÇAĞI-TEPE ELMASI AYRI / STRAIGHT BIT

KOD	S (mm)	D (mm)	H (mm)	FİYAT (PRICE)
DRB0801	6	6	20	5,50 \$
DRB0802	6	8	25	5,50 \$
DRB0803	6	10	25	5,50 \$
DRB0804	8	8	25	5,50 \$
DRB0805	8	10	25	5,50 \$
DRB0806	12	8	20	5,50 \$
DRB0807	12	10	25	5,50 \$
DRB0808	12	12	25	6,00 \$
DRB0809	12	12	40	8,50 \$
DRB0810	12	24	24	10,00 \$



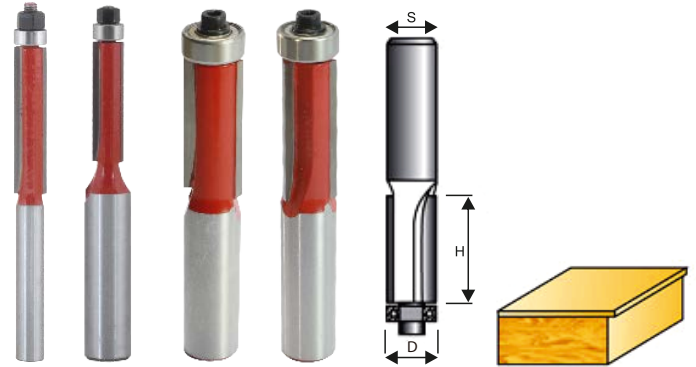
PART NO: 09 KANAL AÇMA BIÇAĞI-TEPE ELMASI BİRLEŞİK
CLEANING BOTTOM BIT

KOD	S (mm)	D (mm)	H (mm)	FİYAT (PRICE)
DRB0901	6	6	25	6,50 \$
DRB0902	12	6	25	6,50 \$
DRB0903	12	8	25	7,50 \$
DRB0904	12	9	25	8,00 \$
DRB0905	12	10	25	8,25 \$
DRB0906	12	12	25	8,50 \$
DRB0907	12	14	25	8,75 \$
DRB0908	12	16	25	9,00 \$
DRB0909	12	18	25	9,50 \$
DRB0910	12	20	25	10,00 \$
DRB0911	12	25	30	14,00 \$
DRB0912	12	30	30	15,00 \$
DRB0913	12	35	30	17,00 \$



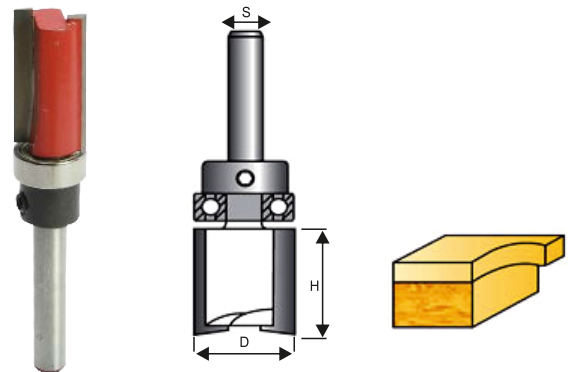
PART NO: 10 TEMİZLEME BIÇAĞI / FLUSH TRIM BIT

KOD	S (mm)	D (mm)	H (mm)	Z	FİYAT (PRICE)
DRB1001	6	6	30	2	7,00 \$
DRB1002	6	10	50	2	7,50 \$
DRB1003	8	8	30	2	7,50 \$
DRB1004	8	13	30	2	7,00 \$
DRB1005	10	13	30	2	7,00 \$
DRB1006	12	8	30	2	5,50 \$
DRB1007	12	13	30	2	5,50 \$
DRB1008	12	13	30	3	9,00 \$
DRB1009	12	13	50	2	9,00 \$



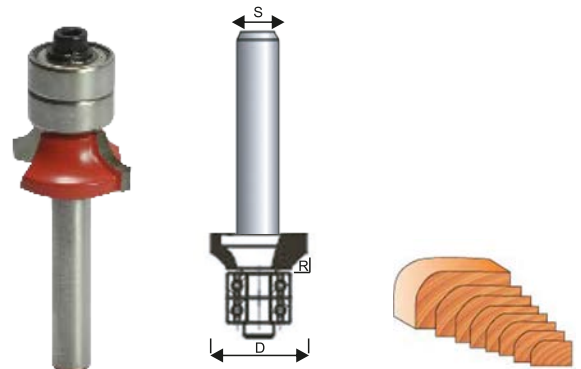
PART NO: 11 ALTTAN RULMANLI TEMİZLEME BIÇAĞI / PATTERN BIT

KOD	S (mm)	D (mm)	H (mm)	FİYAT (PRICE)
DRB1101	6	13	25	8,50 \$



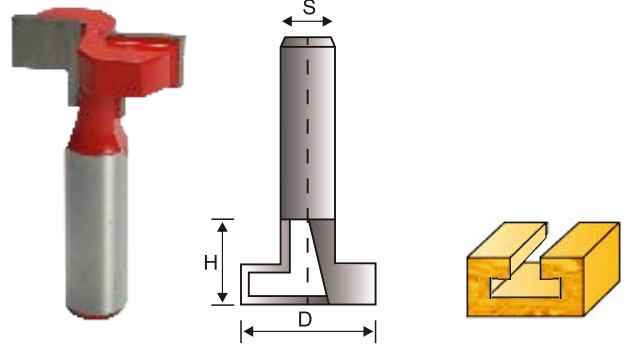
PART NO: 12 PVC TEMİZLEME BIÇAĞI
CORNER ROUND BIT WITH TWO BEARING

KOD	S (mm)	D (mm)	R (mm)	FİYAT (PRICE)
DRB1201	6	16,70	2	7,50 \$
DRB1202	6	18,80	3	7,50 \$
DRB1203	6	20,70	4	8,00 \$
DRB1204	6	22,60	5	8,00 \$



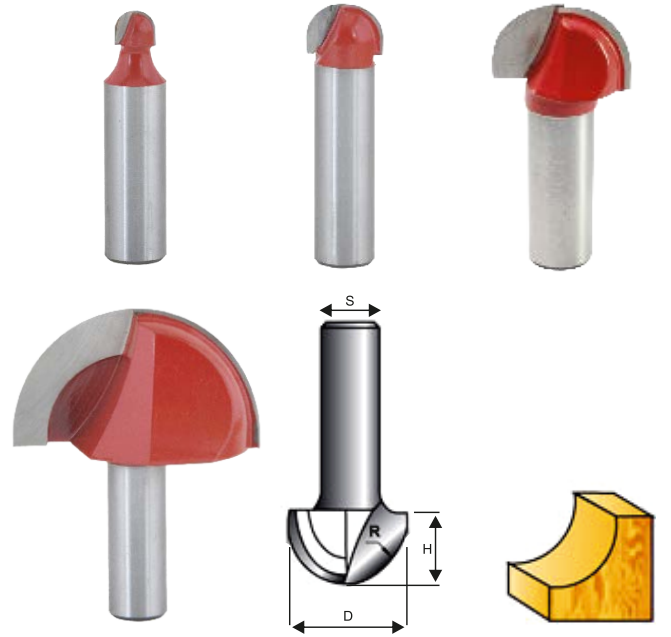
PART NO: 13 STAND KANAL YERİ AÇMA BIÇAĞI / BEVEL SLOTTING BIT

KOD	S (mm)	D (mm)	H (mm)	FİYAT (PRICE)
DRB1301	12	28	17	14,00 \$
DRB1302	12	30	17	14,00 \$
DRB1303	12	32	17	14,00 \$



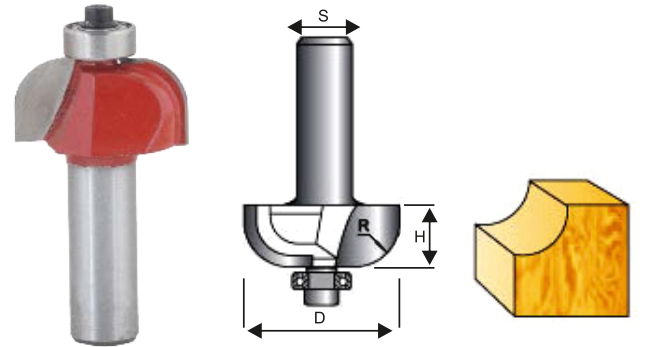
PART NO: 14 "U" DERZ BIÇAĞI / COVE BOX BIT

KOD	S (mm)	D (mm)	H (mm)	FİYAT (PRICE)
DRB1401	12	6	6	6,50 \$
DRB1402	12	8	7	7,00 \$
DRB1403	12	10	8	7,50 \$
DRB1404	12	15	10	8,50 \$
DRB1405	12	20	15	10,00 \$
DRB1406	12	25	16	11,00 \$
DRB1407	12	30	19	13,00 \$
DRB1408	12	40	24	18,00 \$
DRB1409	12	50	29	25,00 \$



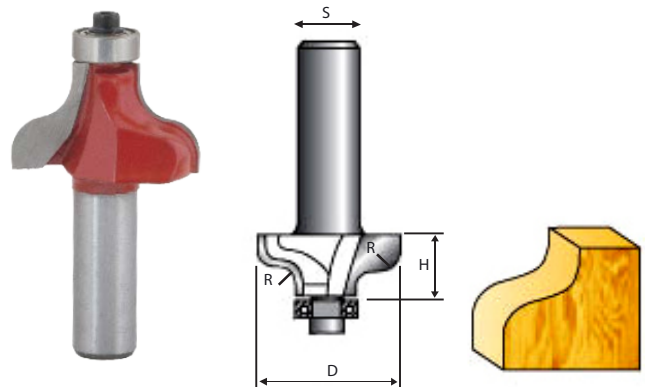
PART NO: 15 TERS BALIK SIRTI BIÇAĞI / COVE BIT WITH BEARING

KOD	S (mm)	D (mm)	H (mm)	FİYAT (PRICE)
DRB1501	12	30	14	10,00 \$



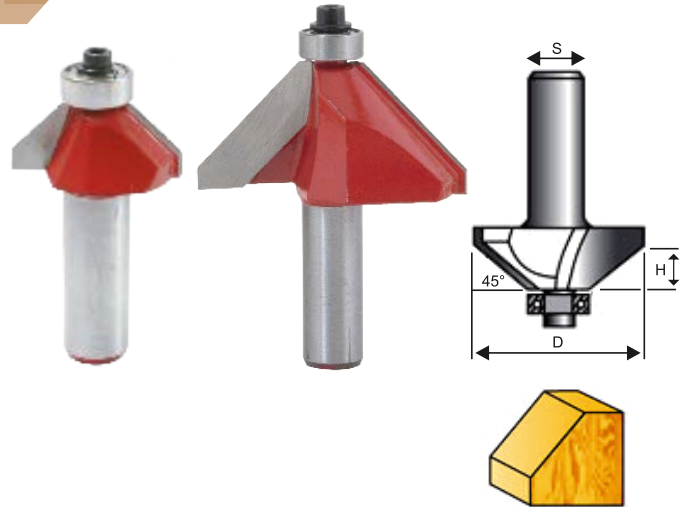
PART NO: 16 "S" MOTİF BIÇAĞI / CURVED LINE BIT

KOD	S (mm)	D (mm)	H (mm)	FİYAT (PRICE)
DRB1601	12	35	19	10,00 \$



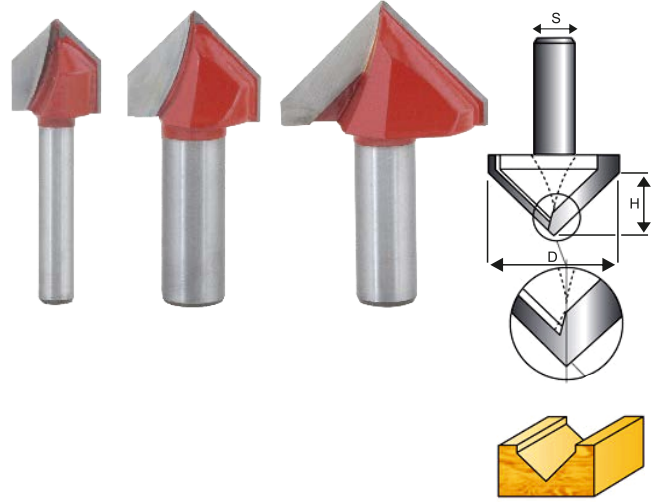
PART NO: 17 45° PAH BIÇAĞI / 45° CHAMFER BIT

KOD	S (mm)	D (mm)	H (mm)	FİYAT (PRICE)
DRB1701	12	30	9	8,50 \$
DRB1702	12	45	17	10,00 \$
DRB1703	12	53	22	13,50 \$



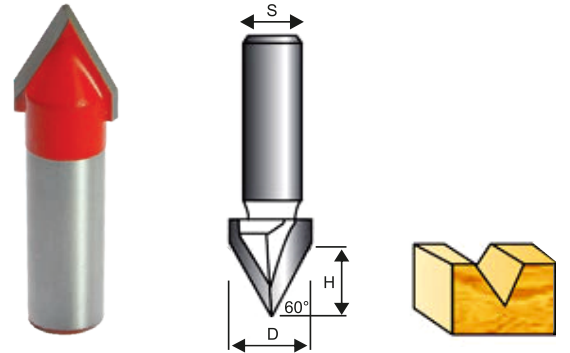
PART NO: 18 45° "V" KANAL AÇMA BIÇAĞI / 45° "V" GROOVING BIT

KOD	S (mm)	D (mm)	H (mm)	FİYAT (PRICE)
DRB1801	6	15	7,50	6,50 \$
DRB1802	12	25	13	9,00 \$
DRB1803	12	32	16	15,00 \$
DRB1804	12	40	20	18,00 \$



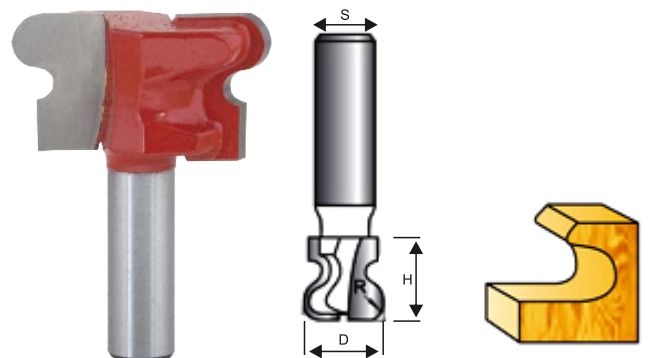
PART NO: 19 60° "V" KANAL AÇMA BIÇAĞI / 60° "V" GROOVING BIT

KOD	S (mm)	D (mm)	H (mm)	FİYAT (PRICE)
DRB1901	12	16	14	10,00 \$



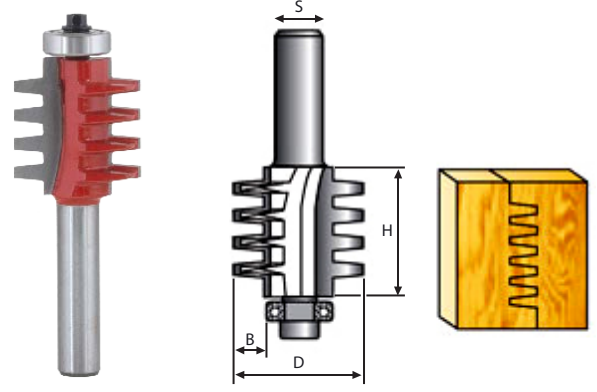
PART NO: 20 KULP BIÇAĞI / FINGER GRIP BIT

KOD	S (mm)	D (mm)	H (mm)	Z	FİYAT (PRICE)
DRB2001	12	45	25	2	22,00 \$



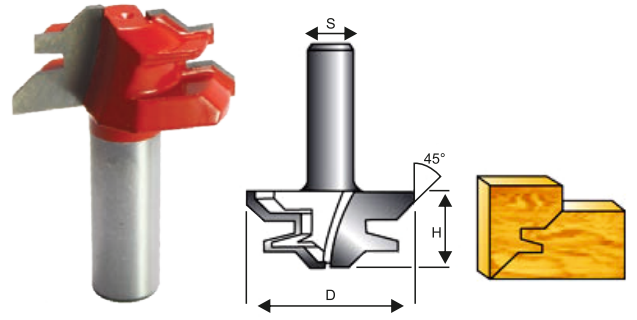
PART NO: 21 EKLEME BIÇAĞI / JOINT BIT

KOD	S (mm)	D (mm)	H (mm)	B (mm)	FIYAT (PRICE)
DRB2101	12	35	38	8	25,00 \$



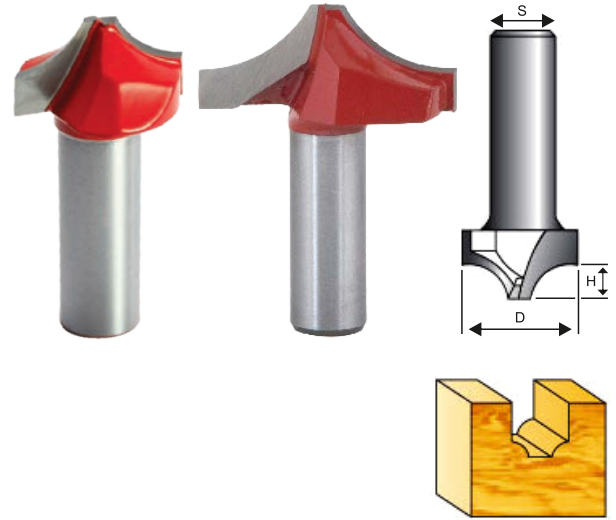
PART NO: 22 KUTU BİRLEŞTİRME BIÇAĞI / 45° LOCK MITER BIT

KOD	S (mm)	D (mm)	H (mm)	FIYAT (PRICE)
DRB2201	12	38	17	21,00 \$



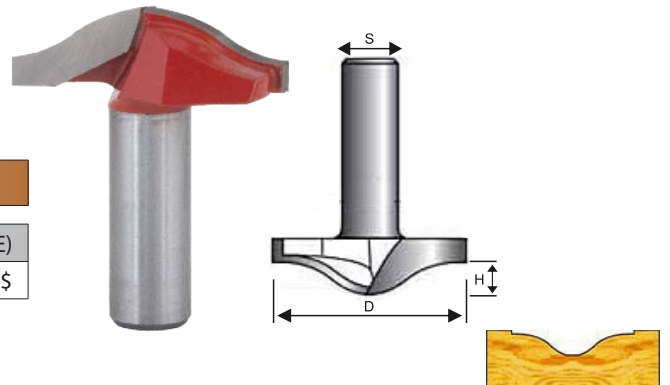
PART NO: 23 MOTİF BIÇAĞI / OPEN END CARVING BIT

KOD	S (mm)	D (mm)	H (mm)	FIYAT (PRICE)
DRB2301	12	25	7,50	11,00 \$
DRB2302	12	40	10,50	16,00 \$



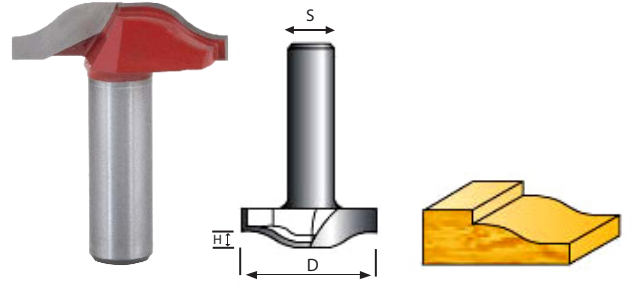
PART NO: 24 MOTİF BIÇAĞI / VARIOUS SHAPE BIT

KOD	S (mm)	D (mm)	H (mm)	FIYAT (PRICE)
DRB2401	12	40	8	16,00 \$



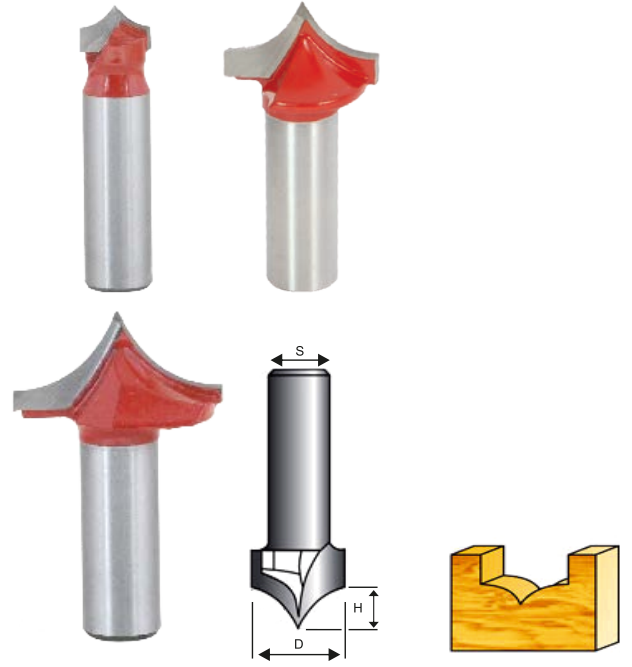
PART NO: 25 MOTİF BIÇAĞI / RAISED PANEL PLUNGE BIT

KOD	S (mm)	D (mm)	H (mm)	FİYAT (PRICE)
DRB2501	12	40	8	16,00 \$



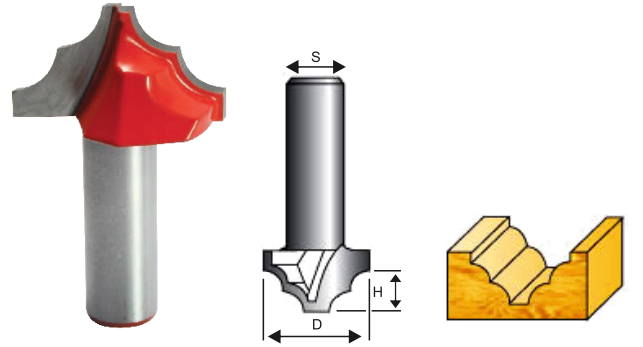
PART NO: 26 MOTİF BIÇAĞI / CARVING BIT

KOD	S (mm)	D (mm)	H (mm)	FİYAT (PRICE)
DRB2601	12	12,70	4	6,00 \$
DRB2602	12	20	6,50	7,00 \$
DRB2603	12	25	9,50	9,00 \$
DRB2604	12	32	12,50	12,00 \$



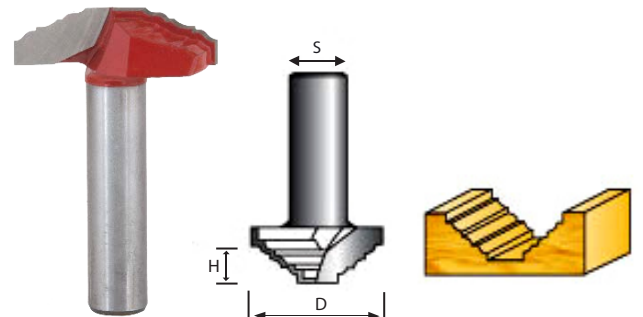
PART NO: 27 MOTİF BIÇAĞI / CLASSICAL MOUNLDING BIT WITHOUT BEARING

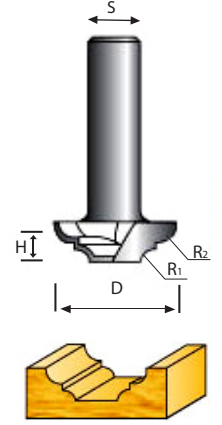
KOD	S (mm)	D (mm)	H (mm)	FİYAT (PRICE)
DRB2701	12	33,60	15	13,00 \$



PART NO: 28 MOTİF BIÇAĞI / CLASSİCAL PLUNGE BIT

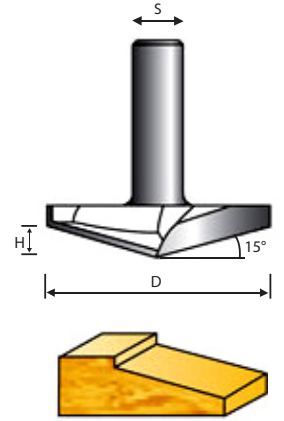
KOD	S (mm)	D (mm)	H (mm)	FİYAT (PRICE)
DRB2801	12	40	6	16,00 \$





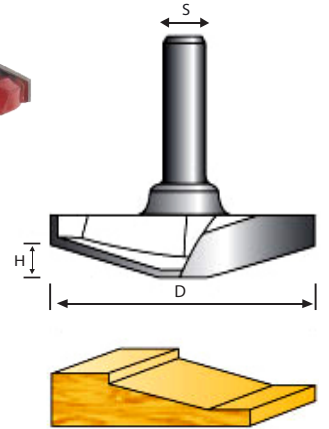
PART NO: 29 MOTİF BIÇAĞI / CLASSİCAL PLUNGE BIT

KOD	S (mm)	D (mm)	H (mm)	FİYAT (PRICE)
DRB2901	12	40	6	16,00 \$



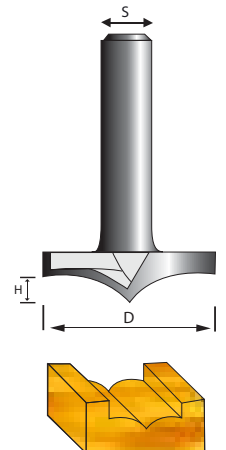
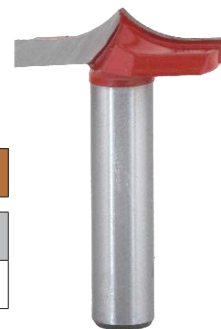
PART NO: 30 MOTİF BIÇAĞI / RAISED PANEL BIT

KOD	S (mm)	D (mm)	H (mm)	FİYAT (PRICE)
DRB3001	12	40	7	16,00 \$



PART NO: 31 MOTİF BIÇAĞI / CLASSİCAL PLUNGE BIT

KOD	S (mm)	D (mm)	H (mm)	FİYAT (PRICE)
DRB3101	12	40	6	16,00 \$

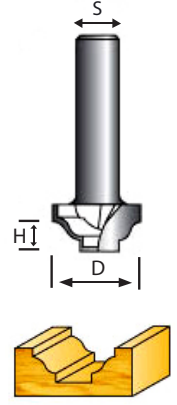


PART NO: 32 MOTİF BIÇAĞI / CLASSİCAL PLUNGE BIT

KOD	S (mm)	D (mm)	H (mm)	FİYAT (PRICE)
DRB3201	12	40	6	16,00 \$

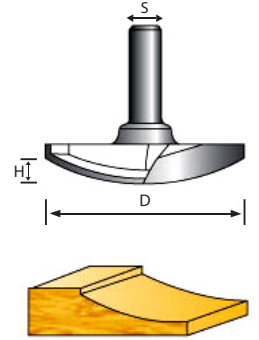
PART NO: 33 MOTİF BIÇAĞI / RAISED PANEL PLUNGE BIT

KOD	S (mm)	D (mm)	H (mm)	FİYAT (PRICE)
DRB3301	12	40	6	16,00 \$



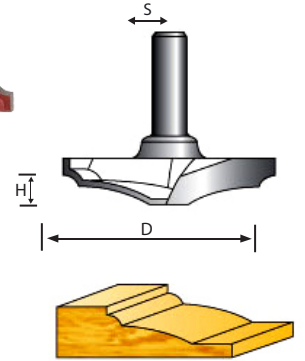
PART NO: 34 MOTİF BIÇAĞI / RAISED PANEL PLUNGE BIT

KOD	S (mm)	D (mm)	H (mm)	FİYAT (PRICE)
DRB3401	12	35	5	13,50 \$



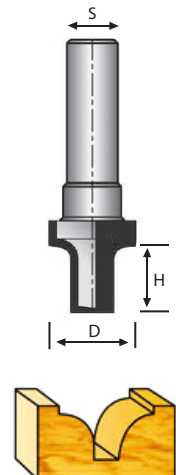
PART NO: 35 MOTİF BIÇAĞI / RAISED PANEL PLUNGE BIT

KOD	S (mm)	D (mm)	H (mm)	FİYAT (PRICE)
DRB3501	12	45	7	18,00 \$



PART NO: 36 R3 EBATLAMA BIÇAĞI / PLUNGING ROUND-OVER BIT

KOD	S (mm)	D (mm)	H (mm)	FİYAT (PRICE)
DRB3601	12	22	19	15,00 \$





Sol (Left) Sağ (Right)

PART NO: 37 ÇOKLU DELİK MATKABI-YARIM DELİK / T.C.T. BITS FOR MULTIPLE DRILLING MACHINES

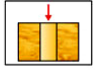
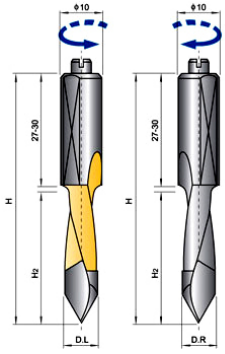
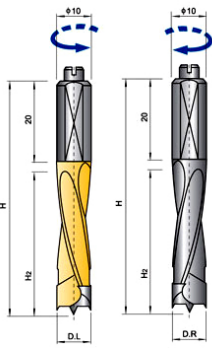
KOD	S (mm)	D (mm)	H (mm)	FİYAT (PRICE)
DRB370101	10	4	57,50	8,00 \$
DRB370201	10	5	57,50	8,00 \$
DRB370301	10	6	57,50	8,00 \$
DRB370401	10	7	57,50	8,00 \$
DRB370501	10	8	57,50	8,00 \$
DRB370601	10	9	57,50	8,00 \$
DRB370701	10	10	57,50	8,00 \$

PART NO: 38 ÇOKLU DELİK MATKABI-TAM DELİK T.C.T. BITS FOR MULTIPLE DRILLING MACHINES

KOD	S (mm)	D (mm)	H (mm)	FİYAT (PRICE)
DRB380101	10	4	57,50	8,50 \$
DRB380201	10	5	57,50	8,50 \$
DRB380301	10	6	57,50	8,50 \$
DRB380401	10	7	57,50	8,50 \$
DRB380501	10	8	57,50	9,50 \$
DRB380601	10	9	57,50	9,50 \$
DRB380701	10	10	57,50	9,50 \$



Sol (Left) Sağ (Right)



PART NO: 39 ÇOKLU DELİK MENTEŞE MATKABI T.C.T. DRILL BITS FOR HINGES

KOD	S (mm)	D (mm)	H (mm)	FİYAT (PRICE)
DRB390101	10	15	57,50	12,00 \$
DRB390201	10	20	57,50	13,50 \$
DRB390301	10	25	57,50	15,00 \$
DRB390401	10	35	57,50	17,50 \$

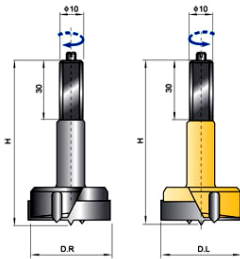
PART NO: 40 ÇOKLU DELİK MATKABI İÇİN HAVŞA T.C.T. COUNTER SINK

KOD	d (mm)	D (mm)	FİYAT (PRICE)
DRB4001	4	16	11,50 \$
DRB4002	5	16	12,00 \$
DRB4003	6	16	12,50 \$
DRB4004	7	16	13,00 \$
DRB4005	8	18	13,50 \$
DRB4006	9	20	14,00 \$
DRB4007	10	20	14,50 \$
DRB4008	12	20	16,50 \$

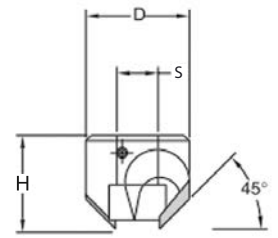
DRB390102	10	15	70	12,50 \$
DRB390202	10	20	70	14,00 \$
DRB390302	10	25	70	15,50 \$
DRB390402	10	35	70	18,00 \$



Sol (Left) Sağ (Right)

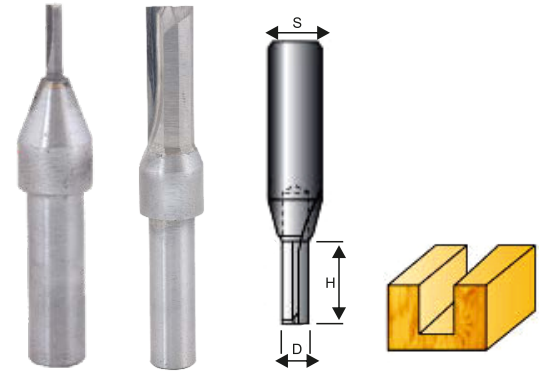
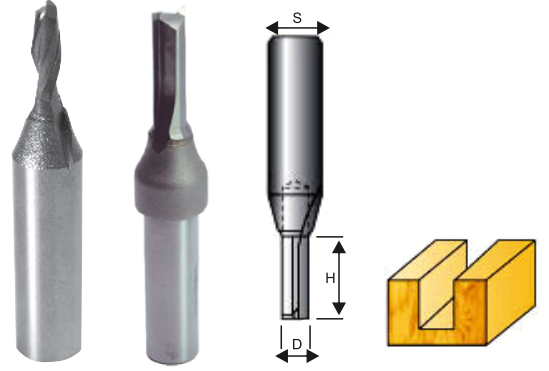


Sol (Left) Sağ (Right)



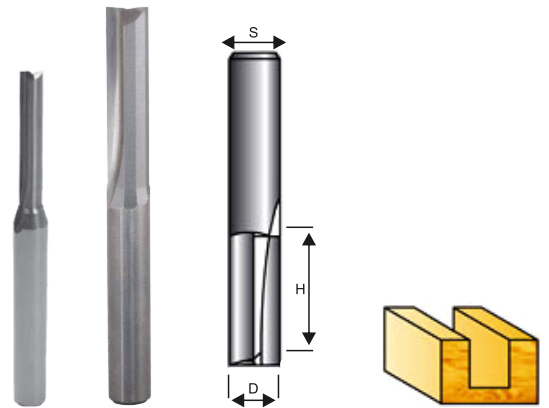
PART NO: 41 KAYNAKLI SOM ELMAS BIÇAĞI / SOLID CARBIDE BIT/STEEL SHANK

KOD	S (mm)	D (mm)	H (mm)	FİYAT (PRICE)
DRB4101	12	3	15	12,50 \$
DRB4102	12	4	20	13,00 \$
DRB4103	12	5	20	13,25 \$
DRB4104	12	5	25	13,50 \$
DRB4105	12	6	20	13,50 \$
DRB4106	12	6	25	13,75 \$
DRB4107	12	6	30	14,00 \$
DRB4108	12	7	25	14,50 \$
DRB4109	12	8	20	14,75 \$
DRB4110	12	8	25	15,00 \$
DRB4111	12	8	32	15,50 \$
DRB4112	12	8,50	25	15,50 \$
DRB4113	12	8,50	32	16,00 \$
DRB4114	12	9	25	16,00 \$
DRB4115	12	9	30	16,50 \$
DRB4116	12	9	35	16,75 \$
DRB4117	12	10	25	16,75 \$
DRB4118	12	10	30	17,00 \$
DRB4119	12	10	35	17,50 \$
DRB4120	12	12	25	18,50 \$
DRB4121	12	12	35	19,50 \$



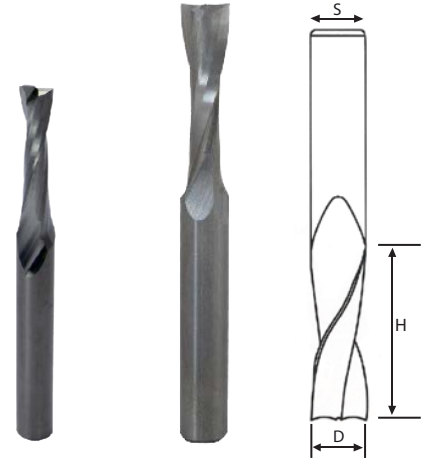
PART NO: 42 DÜZ KARBÜR BIÇAĞI / SOLID CARBIDE BIT/CARBIDE SHANK

KOD	S (mm)	D (mm)	H (mm)	FİYAT (PRICE)
DRB4201	6	3	15	13,50 \$
DRB4202	6	4	20	13,50 \$
DRB4203	6	5	25	13,50 \$
DRB4204	6	6	25	13,50 \$
DRB4205	8	8	32	26,00 \$
DRB4206	10	10	32	33,00 \$
DRB4207	12	12	32	40,00 \$



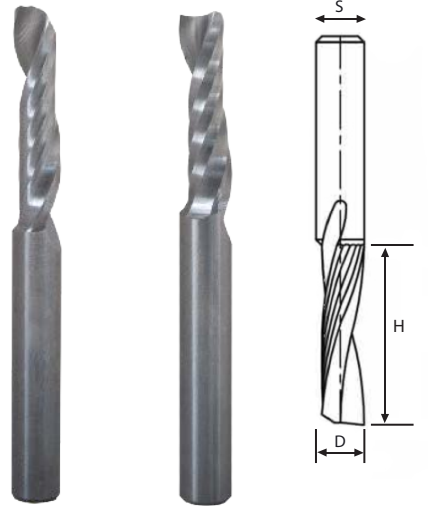
PART NO: 43 HELİS KARBÜR BIÇAĞI / SOLID CARBIDE BIT/CARBIDE SHANK

KOD	S (mm)	D (mm)	H (mm)	FİYAT (PRICE)
DRB4301	6	3	15	13,50 \$
DRB4302	6	4	20	13,50 \$
DRB4303	6	5	25	13,50 \$
DRB4304	6	6	25	13,50 \$
DRB4305	8	8	32	26,00 \$
DRB4306	10	10	32	33,00 \$
DRB4307	12	12	32	40,00 \$



PART NO: 44 PLEKSİ İÇİN KARBÜR BIÇAĞI

KOD	S (mm)	D (mm)	H (mm)	FİYAT (PRICE)
DRB4401	3	3	15	13,00 \$
DRB4402	3	3	20	14,50 \$
DRB4403	4	4	15	15,00 \$
DRB4404	4	4	20	16,00 \$
DRB4405	5	5	25	17,00 \$
DRB4406	6	6	25	17,50 \$
DRB4407	8	8	32	25,00 \$
DRB4408	10	10	32	32,00 \$
DRB4409	12	12	32	40,00 \$



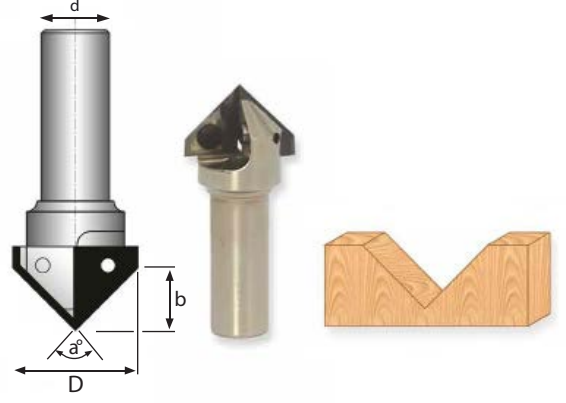
PART NO: 45 NEGATİF POZİTİF HASSAS KESİM KARBÜR BIÇAĞI

KOD	S (mm)	D (mm)	H (mm)	FİYAT (PRICE)
DRB4501	4	4	20	25,00 \$
DRB4502	5	5	25	26,00 \$
DRB4503	6	6	25	27,00 \$
DRB4504	8	8	32	35,00 \$
DRB4505	10	10	32	65,00 \$
DRB4506	12	12	32	75,00 \$



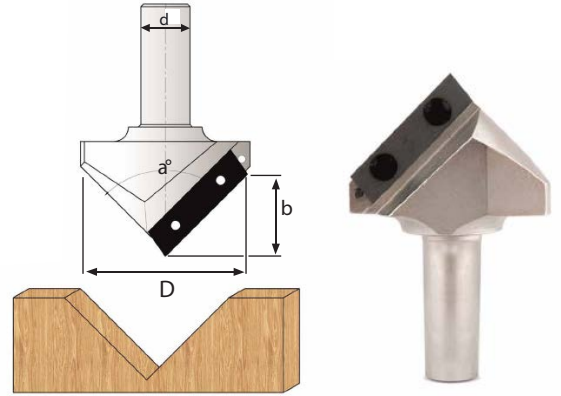
PART NO: 46 DEĞİŞTİRİLEBİLİR JİLETLİ PROFİL BİÇAKLARI
CHANGEABLE BLADE PROFILE ROUTER BIT

KOD	D (mm)	b (mm)	a°	d (mm)	Z
DRB4601	36,50	18,25	90	20	2



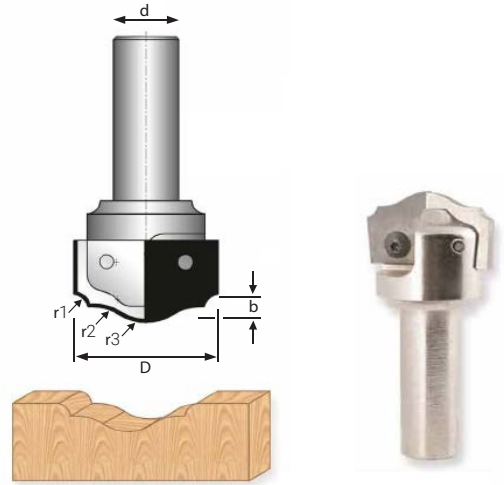
PART NO: 47 DEĞİŞTİRİLEBİLİR JİLETLİ PROFİL BİÇAKLARI
CHANGEABLE BLADE PROFILE ROUTER BIT

KOD	D (mm)	b (mm)	a°	d (mm)	Z
DRB4701	67	33,50	90	20	1



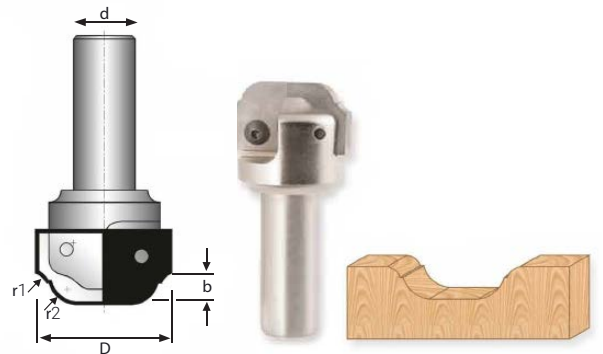
PART NO: 48 DEĞİŞTİRİLEBİLİR JİLETLİ PROFİL BİÇAKLARI
CHANGEABLE BLADE PROFILE ROUTER BIT

KOD	D (mm)	b (mm)	r1	r2	r3	d (mm)	Z
DRB4801	44	8,60	5	15	15	20	2



PART NO: 49 DEĞİŞTİRİLEBİLİR JİLETLİ PROFİL BİÇAKLARI
CHANGEABLE BLADE PROFILE ROUTER BIT

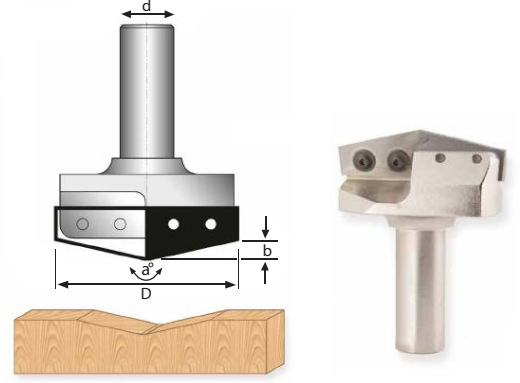
KOD	D (mm)	b (mm)	r1	r2	d (mm)	Z
DRB4901	44	10,20	5,50	9,50	20	2



BU GRUP İÇİN LÜTFEN FİYAT SORUNUZ.

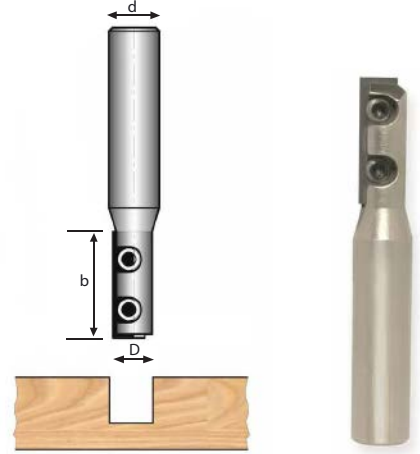
PART NO: 50 DEĞİŞTİRİLEBİLİR JİLETLİ PROFİL BİÇAKLARI
CHANGEABLE BLADE PROFILE ROUTER BIT FOR REBATING

KOD	D (mm)	b (mm)	a°	d (mm)	Z
DRB5001	68,50	5,80	161	20	2



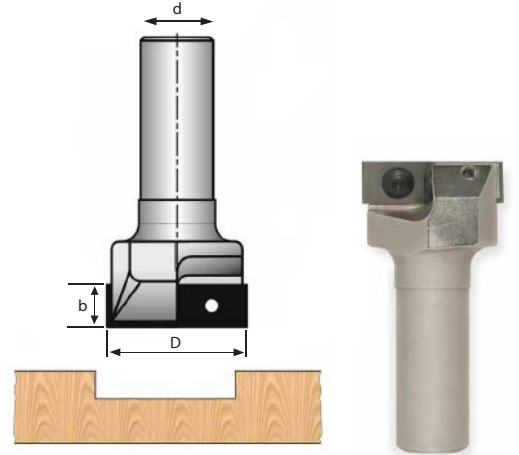
PART NO: 51 DEĞİŞTİRİLEBİLİR JİLETLİ PARMAK FREZE
CHANGEABLE ROUTER TURNBLADE DESING

KOD	D (mm)	b (mm)	d (mm)	Z
DRB5101	12	29,50	14	1



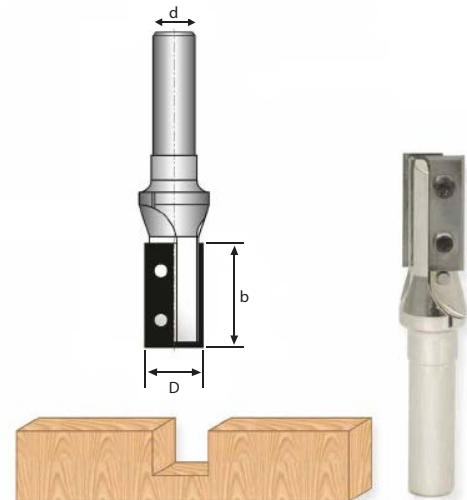
PART NO: 52 DEĞİŞTİRİLEBİLİR JİLETLİ PARMAK FREZE
CHANGEABLE ROUTER TURNBLADE DESING

KOD	D (mm)	b (mm)	d (mm)	Z
DRB5201	38,50	12	20	2
DRB5202	58,50	12	20	2
DRB5203	78,50	12	20	2



PART NO: 53 DEĞİŞTİRİLEBİLİR JİLETLİ PARMAK FREZE
CHANGEABLE ROUTER TURNBLADE DESING

KOD	D (mm)	b (mm)	d (mm)	Z
DRB5301	14	29,50	12/14	2
DRB5302	16	29,50	12/14	2



BU GRUP İÇİN LÜTFEN FİYAT SORUNUZ.

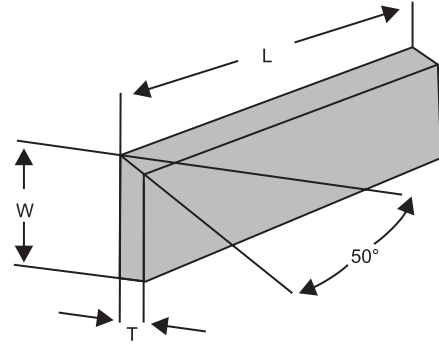
PART NO: 54 PLANYA BIÇAĞI CRV / PLANER KNİFE CRV

KOD	L (mm)	W (mm)	T (mm)	FİYAT (PRICE)
DRB5401	300	35	3	8,00 \$
DRB5402	400	35	3	9,00 \$
DRB5403	500	35	3	11,00 \$
DRB5404	600	35	3	12,00 \$



PART NO: 55 PLANYA BIÇAĞI %18 HSS / PLANER KNİFE %18 HSS

KOD	L (mm)	W (mm)	T (mm)	FİYAT (PRICE)
DRB5501	300	35	3	15,00 \$
DRB5502	400	35	3	16,00 \$
DRB5503	500	35	3	19,00 \$
DRB5504	600	35	3	21,00 \$



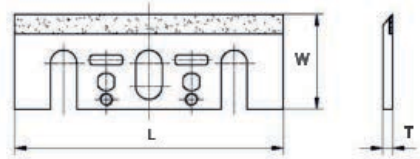
PART NO: 56 PLANYA BIÇAĞI TAKMA APARATI

KOD	ÖZELLİK (SPECIALITY)	AÇIKLAMA (EXPLAIN)	FİYAT (PRICE)
DRB5601	MIKNATISLI	ÇİFT	24,00 \$



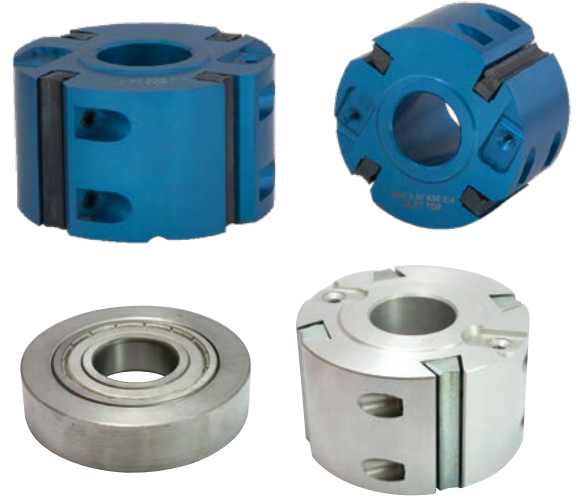
PART NO: 57 EL PLANYA BIÇAĞI / HAND PLANER KNİFE

KOD	L (mm)	W (mm)	T (mm)	FİYAT (PRICE)
DRB5701	82	5,50	1,10	TİGRA 3,75 €
DRB5702	82	29	3	MAKİTA 18,00 \$
DRB5703	82	29	3	10,00 \$



PART NO: 58 ALÜMİNYUM FREZE TOPU VE RULMANI
CUTTER HEAD FOR RABBETS AND BEARING

KOD	d (mm)	D (mm)	H (mm)	Z	FİYAT (PRICE)
DRB5801	30	85	50	4	48,00 \$ ÇİZİCSİZ
DRB5802	30	85	50	4	55,00 \$ ÇİZİCLİ
DRB5803	30	85	60	4	65,00 \$ ÇİZİCSİZ
DRB5804	30	85	60	4	75,00 \$ ÇİZİCLİ
DRB5805	30	85	100	4	110,00 \$ ÇİZİCLİ
DRB5806	30	85	-	-	15,00 \$



PART NO: 59 RULMAN VE ADAPTÖR / BEARING AND SHAFT SLEEVE

KOD	d(mm)	D (mm)	FİYAT (PRICE)
DRB5901	4	13	0,75 \$
DRB5902	5	13	0,75 \$
DRB5903	5	16	0,85 \$
DRB5904	6	8	2,25 \$
DRB5905	6	12	2,25 \$
DRB5906	8	12	2,25 \$
DRB5907	10	12	2,25 \$
DRB5908	12	14	2,25 \$



PART NO: 60 KAPI KİLİT YERİ MATKABI

KOD	Matkap Kalınlığı (mm)	Kilit Yeri (mm)	FİYAT (PRICE)
DRB6001	17	23	18,00 \$



PART NO: 61 BUDAK ÇIKARTMA MATKABI / PLUG CUTTERS BIT

KOD	Ölçü (DIMENSION) (mm)	FİYAT (PRICE)
DRB6101	8	30,00 \$
DRB6102	10	34,00 \$
DRB6103	12	38,00 \$
DRB6104	15	40,00 \$
DRB6105	20	42,00 \$
DRB6106	25	49,00 \$
DRB6107	30	55,00 \$
DRB6108	35	59,00 \$
DRB6109	40	65,00 \$



PART NO: 62 Bİ METAL PANÇ / BI METAL HOLE SAW

KOD	ÇAP (DIAMETER) (mm)	FİYAT (PRICE)
DRB6201	14	4,00 \$
DRB6202	16	4,25 \$
DRB6203	17	4,50 \$
DRB6204	19	4,90 \$
DRB6205	20	5,15 \$
DRB6206	21	5,40 \$
DRB6207	22	5,50 \$
DRB6208	24	5,65 \$
DRB6209	25	6,00 \$
DRB6210	27	6,25 \$
DRB6211	28	6,45 \$
DRB6212	29	6,65 \$
DRB6213	30	7,00 \$
DRB6214	32	7,40 \$
DRB6215	35	8,00 \$
DRB6216	38	8,50 \$
DRB6217	40	8,70 \$
DRB6218	41	8,90 \$
DRB6219	44	9,50 \$
DRB6220	46	10,00 \$
DRB6221	48	10,50 \$
DRB6222	51	11,00 \$
DRB6223	52	11,25 \$
DRB6224	54	11,85 \$
DRB6225	57	12,25 \$
DRB6226	60	9,00 \$
DRB6227	65	9,50 \$
DRB6228	68	15,50 \$
DRB6229	70	11,00 \$
DRB6230	73	16,75 \$
DRB6231	76	17,50 \$
DRB6232	79	18,25 \$
DRB6233	83	19,00 \$
DRB6234	86	19,85 \$
DRB6235	89	21,90 \$
DRB6236	92	22,90 \$
DRB6237	95	23,90 \$
DRB6238	98	24,50 \$
DRB6239	102	25,65 \$
DRB6240	105	26,80 \$
DRB6241	108	27,75 \$
DRB6242	111	29,00 \$
DRB6243	114	30,25 \$
DRB6244	121	31,75 \$
DRB6245	127	34,00 \$
DRB6246	133	35,30 \$
DRB6247	140	23,00 \$
DRB6248	146	39,70 \$
DRB6249	152	44,00 \$
DRB6250	160	49,35 \$
DRB6251	165	50,90 \$
DRB6252	168	52,60 \$
DRB6253	178	55,75 \$
DRB6254	200	61,25 \$
DRB6255	210	67,00 \$



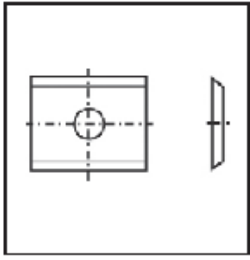
PART NO: 63 ELMAS PANÇ / DIAMOND HOLE SAW

KOD	ÇAP (DIAMETER) (mm)	FİYAT (PRICE)
DRB6301	54	32,00 \$
DRB6302	55	33,00 \$
DRB6303	60	37,00 \$
DRB6304	62	40,00 \$
DRB6305	65	42,00 \$
DRB6306	70	44,00 \$
DRB6307	130	78,00 \$
DRB6308	140	82,00 \$

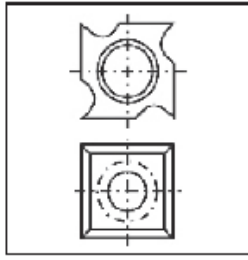
PART NO: 64 PANÇ ADAPTÖRÜ / PUNCH ADAPTER

KOD	ÖLÇÜ (DIMENSION)	FİYAT (PRICE)
DRB6401	14-30	4,50 \$
DRB6402	14-30 (SDS)	5,50 \$
DRB6403	32-210	7,50 \$
DRB6404	32-210 (SDS)	9,50 \$

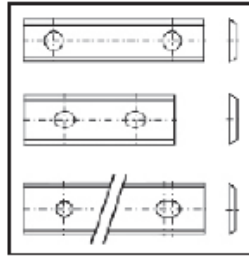




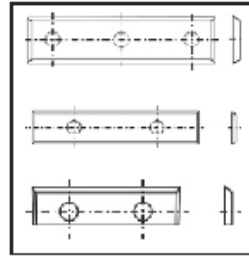
G1



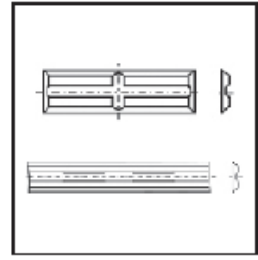
G2



G3



G4



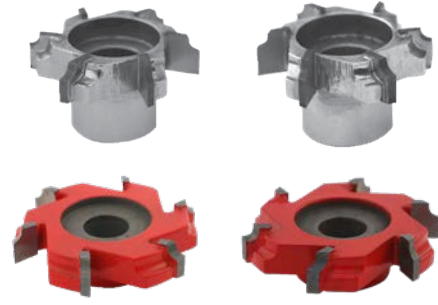
G5

PART NO: 65 STANDART JİLETLER / STANDARD REVERSIBLE KNIVES

KOD	L (mm)	W (mm)	T (mm)	T.KOD	FİYAT (PRICE)	
012001	7,50	12	1,50	T04F-CR	1,80 €	G1
012015	9,60	12	1,50	T04F-CR	2,85 €	G1
013167	10,50	12	1,50	T04F-CR	7,40 €	G1
012002	12	12	1,50	T04F-CR	2,00 €	G2
013295	14	14	1,20	T08MF	2,40 €	G2
013260	14	14	2	T04F-CR	1,96 €	G2
013273	14	14	2	T08MF	2,00 €	G2
013329	14,30	14,30	2,50	T10MG	4,00 €	G2
016565	17	17	2	T08MF	5,70 €	G2
013293	18	18	1,95	T08MF	6,50 €	G2
012004	20	12	1,50	T04F-CR	2,50 €	G3
012011	25	12	1,50	T04F-CR	3,20 €	G3
012005	30	12	1,50	T04F-CR	3,20 €	G3
013828	30	12	1,50	T03SMG	3,75 €	G3
013208	35	12	1,50	T04F-CR	7,00 €	G3
012014	40	12	1,50	T04F-CR	4,15 €	G3
012006	50	12	1,50	T04F-CR	4,50 €	G3
013834	50	12	1,50	T03SMG	5,50 €	G3
012007	60	12	1,50	T04F-CR	5,70 €	G3
013839	60	12	1,50	T03SMG	6,65 €	G3
012008	80	13	2,20	T08MF	18,25 €	G3
012009	100	13	2,20	T08MF	25,00 €	G3
13507	29,50	12	1,50	T04F-CR	4,90 €	G4
013952	29,50	12	1,50	T03SMG	5,35 €	G4
013520	49,50	12	1,50	T04F-CR	5,80 €	G4
013957	49,50	12	1,50	T03SMG	7,50 €	G4
013327	50	12	1,70	T04F-CR	6,80 €	G4
013866	50	12	1,70	T03SMG	8,00 €	G4
016822	28	7	1,50	T03SMG	7,50 €	G4
013403	20	4,10	1,10	T04F-CR	4,20 €	G5
013402	25	5,50	1,10	T04F-CR	4,60 €	G5
013397	30	5,50	1,10	T04F-CR	4,20 €	G5
013401	50	5,50	1,10	T04F-CR	5,30 €	G5
013918	50	5,50	1,10	T03SMG	6,20 €	G5
013020	82	5,50	1,10	T08MF	3,75 €	G5

PART NO: 66 PVC BANTLAMA MAKİNALARININ BIÇAKLARI

KOD	AÇIKLAMA (EXPLAIN)
DRB6601	ÖZ KONYALI, KLK, GÜMÜŞ, HASDEM, AYZA MIZRAK
DRB6602	MIZRAK, ÖZ BAŞKENT
DRB6603	ÖZ ANADOLU
DRB6604	ANADOLU



PART NO: 67 KAPI KOL KİLİT MAKİNALARININ BIÇAKLARI

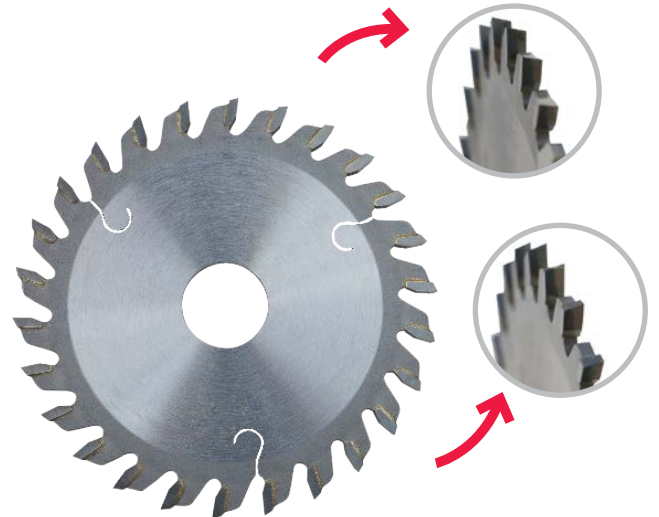
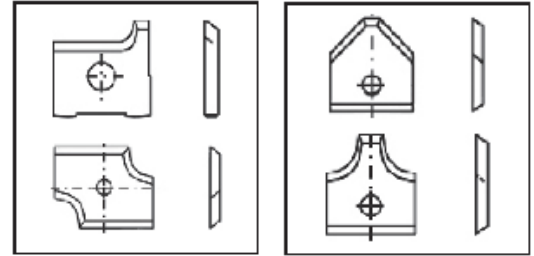
KOD	AÇIKLAMA (EXPLAIN)
DRB6701	KOL YERİ BIÇAĞI
DRB6702	KİLİT YERİ BIÇAĞI
DRB6703	AYNA YERİ BIÇAĞI



KOL YERİ KİLİT YERİ AYNA YERİ

PART NO: 68 ÖZEL PROFİL, KAZIMA VE BANTLAMA MAKİNASI JİLETLERİ

KOD	AÇIKLAMA
039045	16*14*2*4 R3 - SCM GRUP KAZIMA
037922	12,70*12,70*3,20 R3
033311	20*16*2*3 R3 - TURANLAR PVC SAĞ
033315	20*16*2*3 R3 - TURANLAR PVC SOL
016511	16*17,50*2*4,40 R3
016511	16*17,50*2*4,40 R2
035041	12,70*12,70*3,20 R2 - HOLZER/BRANT/SCM
032984	20*12*2*4 R1 - HOLZER/BRANT/SCM
016419	20*12*2*4 R2 - HOLZER/BRANT/SCM
020990	12*13*2 D:4 R2 - BRANT
033963	19,60*15,20*2 D:4 R2 SAĞ - BRANT
033966	19,60*15,20*2 D:4 R2 SOL - BRANT
X1617L5	16*17*5 KAZIMA JİLETİ SAĞ
X1617M5	16*17*5 KAZIMA JİLETİ SOL
1411R3R	14*11*2 R3 KAZIMA JİLETİ SAĞ
1411R3L	14*11*2 R3 KAZIMA JİLETİ SOL
032297	16*22*5 R3 KELEBEK JİLET
013278	34*16*3 3MM KANAL JİLET
013271	22*19*2 30° PANTOGRAF JİLETİ



PART NO: 69 PVC KENAR BANTLAMA MAKİNALARI BAŞ SON KESME TESTERELERİ

KOD	D (mm)	B (mm)	d (mm)	Z
DRB6901	80	3,20	20V	20
DRB6902	90	3,20	24	20
DRB6903	100	3,20	20	30
DRB6904	100	3,20	30	30
DRB6905	100	2,80	32	30

BU GRUP İÇİN LÜTFEN FİYAT SORUNUZ.

PART NO: 70 ELMAS UÇLU ATLAMALI BG DİŞLİ AHŞAP DAİRE TESTERESİ
CARBIDE DIAMOND TIPPED PRECISION CIRCULAR SAW BLADE, BG TOOTH

KOD	D (mm)	B (mm)	d (mm)	Z	FİYAT (PRICE)
01.01.01.01.25018	250	1,70	30	24	27,00 \$
01.01.01.01.25017	250	2	30	24	27,00 \$
01.01.01.01.25016	250	2,20	30	24	28,00 \$
01.01.01.01.25022	250	3,20	30	24	29,00 \$
01.01.01.01.30030	300	2,40	30	28	33,00 \$
01.01.01.01.30029	300	2,60	30	28	33,00 \$
01.01.01.01.30028	300	3,20	30	28	35,00 \$
01.01.01.01.35032	350	3,60	30	32	56,00 \$
01.01.01.01.40036	400	3,80	30	36	73,00 \$
01.01.01.01.40042	400	3,80	30	42	75,00 \$
01.01.01.01.45042	450	4	30	42	80,00 \$
01.01.01.01.50048	500	4	30	48	103,00 \$

PART NO: 71 AHŞAP VE SUNTA KESİMİNDE KULLANILAN ELMAS UÇLU DOĞRAMA
VE GÖNYELEME TESTERESİ / CARBIDE DIAMOND TIPPED CROSS MITRE CUT BLADES
FOR WOOD AND CHIPBOARD

KOD	D (mm)	B (mm)	d (mm)	Z	FİYAT (PRICE)
01.01.01.02.20064	200	2	30	64	34,00 \$
01.01.01.02.25040	250	3,20	30	40	40,00 \$
01.01.01.02.25048	250	3,20	30	48	42,00 \$
01.01.01.02.25060	250	3,20	30	60	46,00 \$
01.01.01.02.25080	250	3,20	30	80	50,00 \$
01.01.01.02.30048	300	3,20	30	48	46,00 \$
01.01.01.02.30064	300	3,20	30	64	53,00 \$
01.01.01.02.30072	300	3,20	30	72	56,00 \$
01.01.01.02.30096	300	3,20	30	96	64,00 \$
01.01.01.02.35054	350	3,60	30	54	66,00 \$
01.01.01.02.40072	400	3,80	30	72	87,00 \$
01.01.01.02.45054	450	4	30	54	87,00 \$
01.01.01.02.45072	450	4	30	72	101,00 \$
01.01.01.02.50060	500	4	30	60	116,00 \$

PART NO: 72 TRF DİŞLİ ELMAS UÇLU HASSAS KESİM DAİRE TESTERESİ (SESSİZ)
CARBIDE DIAMOND TIPPED ULTRA FINE CIRCULAR SAW BLADES, TRF TOOTH (SILENT)

KOD	D (mm)	B (mm)	d (mm)	Z	FİYAT (PRICE)
01.01.01.03.25080	250	3,20	30	80	53,00 \$
01.01.01.03.30096	300	3,20	30	96	69,00 \$

PART NO: 73 KURT AĞIZLI MDF LAMİNANT TESTERESİ (SESSİZ)
SILENT CUT MDF/LAMINATES BLADE

KOD	D (mm)	B (mm)	d (mm)	Z	FİYAT (PRICE)
01.01.01.04.25080	250	3,20	30	80	42,00 \$
01.01.01.04.30096	300	3,20	30	96	58,00 \$



PART NO: 74 ELMAS UÇLU ÇİZİCİ TESTERE
CARBIDE DIAMOND TIPPED MARKER BLADES

KOD	D (mm)	B (mm)	d (mm)	Z	FİYAT (PRICE)
01.01.01.05.12524	125	3,60	20	24	34,00 \$
01.01.01.05.12525	125	4	20	24	34,00 \$

PART NO: 75 ELMAS UÇLU ALÜMİNYUM VE PVC DAİRE TESTERESİ / CARBIDE DIAMOND TIPPED CIRCULAR SAW BLADES FOR ALUMINIUM AND PVC APPLICATIONS

KOD	D (mm)	B (mm)	d (mm)	Z	FİYAT (PRICE)
01.01.01.06.20064	200	2	30	64	30,00 \$
01.01.01.06.20065	200	3	30	64	46,00 \$
01.01.01.06.25080	250	3,20	30	80	53,00 \$
01.01.01.06.30096	300	3,20	30	96	72,00 \$
01.01.01.06.35113	350	3,40	30	112	87,00 \$
01.01.01.06.40121	400	3,60	30	120	113,00 \$
01.01.01.06.40128	420	4	30	128	132,00 \$
01.01.01.06.40228	450	4	30	128	140,00 \$
01.01.01.06.40229	450	4	32	128	140,00 \$
01.01.01.06.50140	500	4	30	140	158,00 \$

PART NO: 76 ELMAS UÇLU PORTATİF MAKİNALAR İÇİN DAİRE TESTERESİ
CARBIDE DIAMOND TIPPED CIRCULAR SAW BLADES FOR PORTABLE SITE SAWS

KOD	D (mm)	B (mm)	d (mm)	Z	FİYAT (PRICE)
01.01.01.07.15024	150	2,60	20	24	11,00 \$
01.01.01.07.16024	160	2,60	30	24	11,50 \$
01.01.01.07.16524	165	2,60	30	24	12,00 \$
01.01.01.07.18024	180	2,60	30	24	12,50 \$
01.01.01.07.18036	180	2,60	30	36	13,00 \$
01.01.01.07.18524	185	2,60	30	24	13,00 \$
01.01.01.07.18536	185	2,60	30	36	14,00 \$
01.01.01.07.19030	190	2,60	30	30	14,50 \$
01.01.01.07.21030	210	2,60	30	30	15,50 \$
01.01.01.07.23534	235	2,60	30	34	17,50 \$

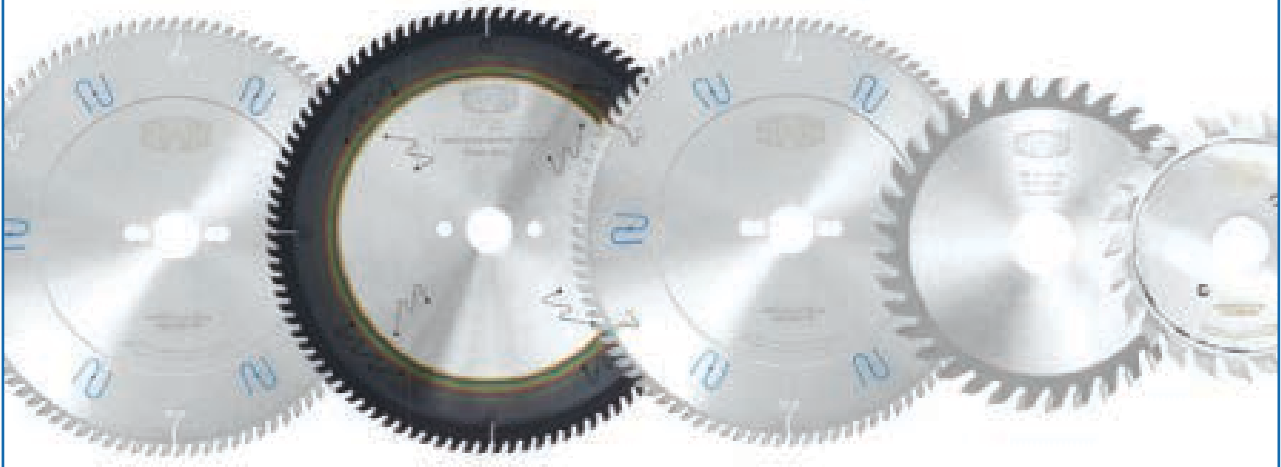
PART NO: 77 DAİRESEL METAL PROFİL KESME TESTERESİ
CIRCULAR METAL TUBE CUTTING BLADES

KOD	D (mm)	B (mm)	d (mm)	Z	FİYAT (PRICE)
01.01.02.01.20016	200	1,60	32	160	52,00 \$
01.01.02.01.20018	200	1,80	32	160	50,00 \$
01.01.02.01.20020	200	2	32	160	52,00 \$
01.01.02.01.22518	225	1,80	32	180	63,00 \$
01.01.02.01.22520	225	2	32	180	65,00 \$
01.01.02.01.25018	250	1,80	32	200	80,00 \$
01.01.02.01.25020	250	2	32	200	80,00 \$
01.01.02.01.27520	275	2	32	220	123,00 \$
01.01.02.01.27525	275	2,50	32	220	127,00 \$
01.01.02.01.30020	300	2	32	220	147,00 \$
01.01.02.01.30025	300	2,50	32	220	148,00 \$
01.01.02.02.30026	275	2,50	32	220	142,00 \$
01.01.02.02.30027	300	2,50	32	220	149,00 \$

ÇİFTLİ
TEKLİ



PASLANMAZ
PASLANMAZ



Eksiksiz Kesim Ürünleri Yelpazesi

STARK SpA; Ahşap testereleri, HSS testereleri, demir ve demir dışı metalleri kesmek için TCT testereleri üretiminde uzmanlaşmıştır. Ürünlerimiz her uygulama için piyasada en iyi kaliteyi sağlayarak hem standart hem de özel ihtiyaçlara cevap verebilmektedir.



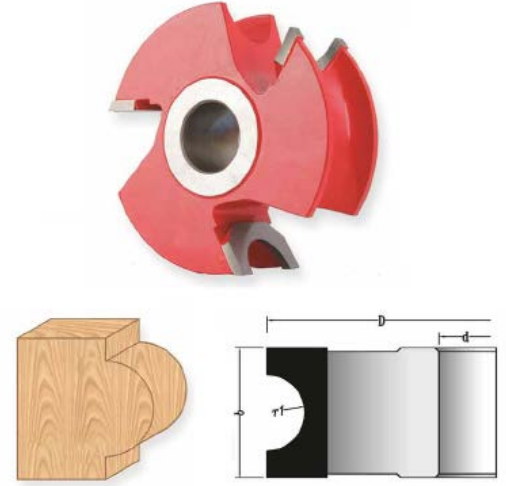
PART NO: 78 SERT METAL PLAKETLİ KENAR TEMİZLEME FREZE BİÇAĞI / REBATING CUTTERS BLOCK T.C.T.

KOD	D (mm)	b (mm)	d (mm)	Z
DRB7801	85	40	30	4
DRB7802	85	45	30	4
DRB7803	85	50	30	4
DRB7804	85	55	30	4
DRB7805	85	60	30	4
DRB7806	85	65	30	4



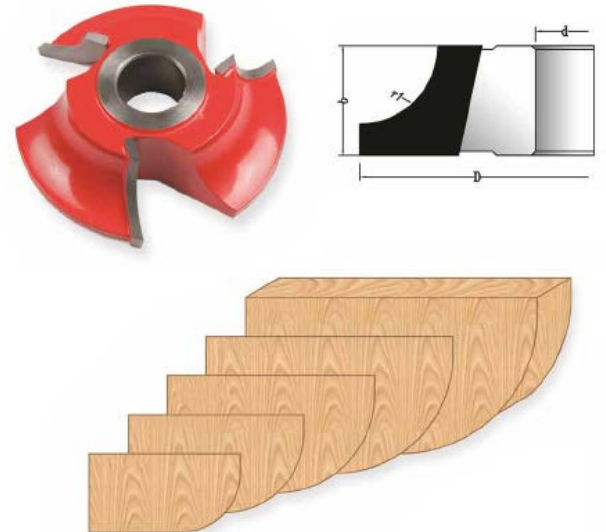
PART NO: 79 SERT METAL PLAKETLİ YARIM DAİRE BİÇAĞI HALF ROUND PROFILE CUTTERS BLOCK T.C.T.

KOD	D (mm)	b (mm)	r1 (mm)	d (mm)	Z
DRB7901	120	24	5	30	3
DRB7902	120	26	6	30	3
DRB7903	120	30	8	30	3
DRB7904	120	34	10	30	3
DRB7905	120	39	12,50	30	3
DRB7906	120	44	15	30	3
DRB7907	120	49	17,50	30	3
DRB7908	120	54	20	30	3



PART NO: 80 SERT METAL PLAKETLİ 1/4 DAİRE KENAR YUVARLAMA FREZE BİÇAĞI 1/4 RADIUS PROFILE CUTTERS BLOCK T.C.T.

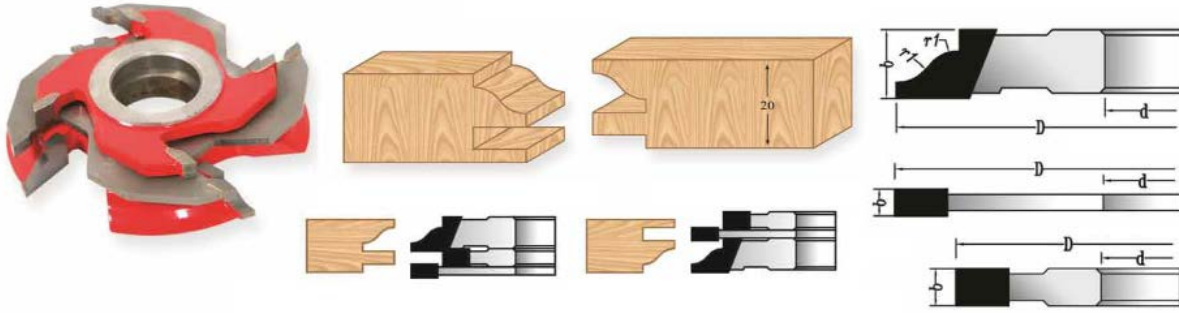
KOD	D (mm)	b (mm)	r1 (mm)	d (mm)	Z
DRB8001	90	13	5	30	3
DRB8002	92	14	6	30	3
DRB8003	96	16	8	30	3
DRB8004	100	18	10	30	3
DRB8005	105	20,50	12,50	30	3
DRB8006	110	23	15	30	3
DRB8007	120	28	20	30	3
DRB8008	130	33	25	30	3
DRB8009	140	38	30	30	3
DRB8010	150	45	35	30	3
DRB8011	160	50	40	30	3
DRB8012	170	55	45	30	3
DRB8013	180	60	50	30	3



BU GRUP İÇİN LÜTFEN FİYAT SORUNUZ.

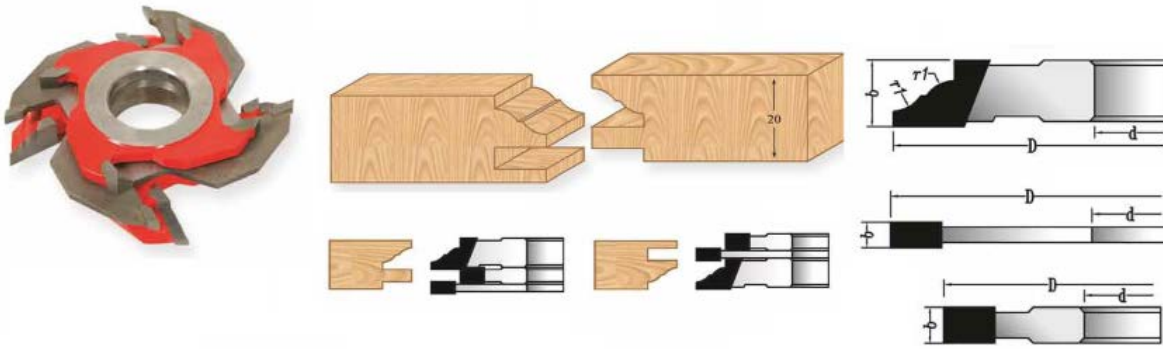
PART NO: 81 SERT METAL PLAKETLİ RUSTİK ÇERÇEVE BİRLEŞTİRME FREZE BIÇAK GRUBU / TONGUE AND GROOVE CUTTER SET T.C.T.

KOD	D (mm)	b (mm)	r1 (mm)	d (mm)	Z
DRB8101	109	13	7	30	4
DRB8102	109	5	-	30	4
DRB8103	85	7	-	30	4



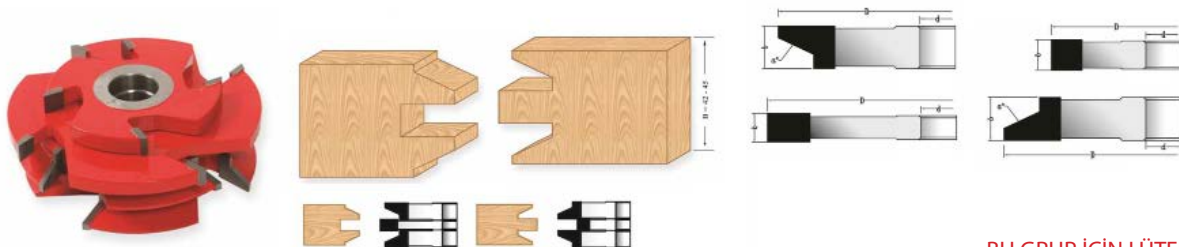
PART NO: 82 SERT METAL PLAKETLİ RUSTİK ÇERÇEVE BİRLEŞTİRME FREZE BIÇAK GRUBU / TONGUE AND GROOVE CUTTER SET T.C.T.

KOD	D (mm)	b (mm)	r1 (mm)	d (mm)	Z
DRB8201	109	13	27	30	4
DRB8202	109	5	-	30	4
DRB8203	85	7	-	30	4



PART NO: 83 SERT METAL PLAKETLİ RUSTİK KAPI PROFİL FREZE BIÇAK GRUBU / TONGUE AND GROOVE CUTTER SET FOR THE DOORS T.C.T.

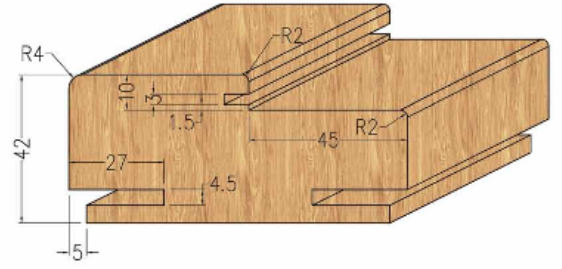
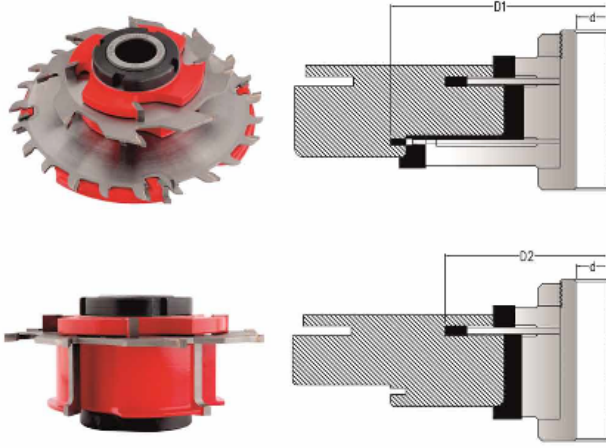
KOD	D (mm)	b (mm)	a°	d (mm)	Z
DRB8301	150	18	25	30	4
DRB8302	160	12	-	30	4
DRB8303	110	13	-	30	4
DRB8304	150	18	25	30	4



BU GRUP İÇİN LÜTFEN FİYAT SORUNUZ.

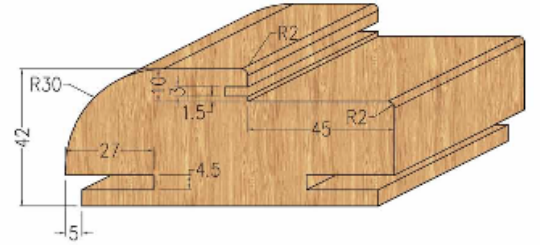
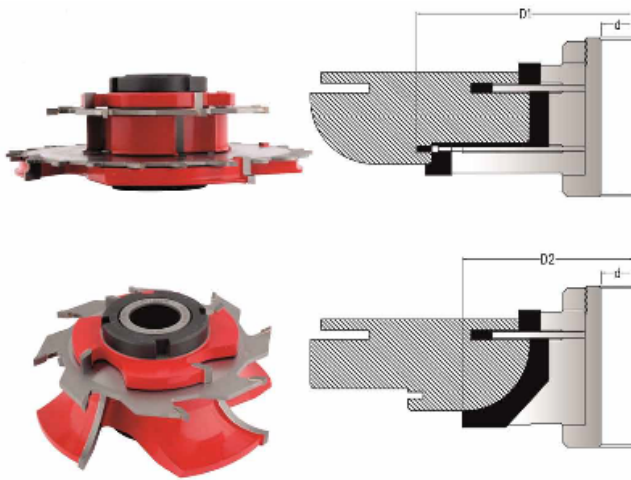
PART NO: 84 SERT METAL PLAKETLİ KAPI KASASI PROFİL FREZE BIÇAK GRUBU / PROFILE REUTER CUTTERS T.C.T.

KOD	D1 (mm)	D2 (mm)	d (mm)	Z
DRB8401	200	150	30	4+8+12



PART NO: 85 SERT METAL PLAKETLİ KAPI KASASI PROFİL FREZE BIÇAK GRUBU / PROFILE REUTER CUTTERS T.C.T.

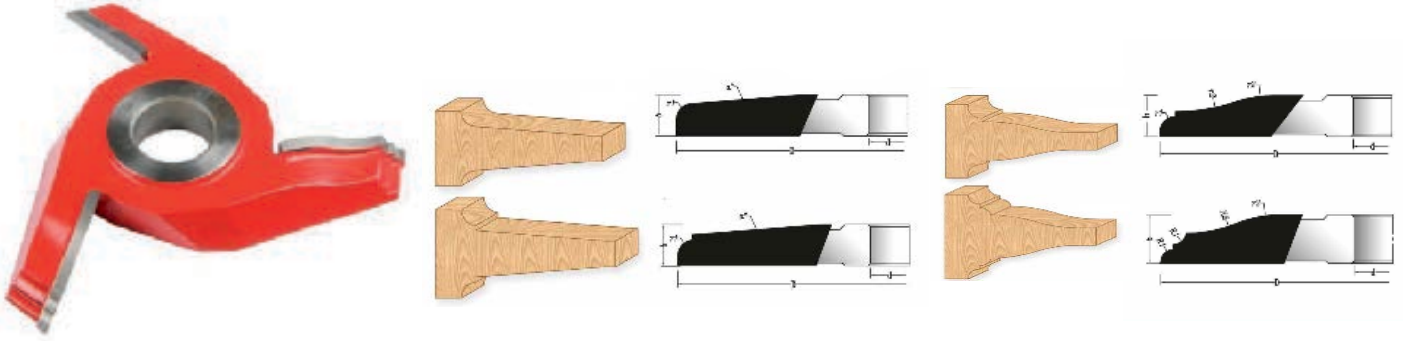
KOD	D1 (mm)	D2 (mm)	d (mm)	Z
DRB8501	200	158	30	4+8+12



BU GRUP İÇİN LÜTFEN FİYAT SORUNUZ.

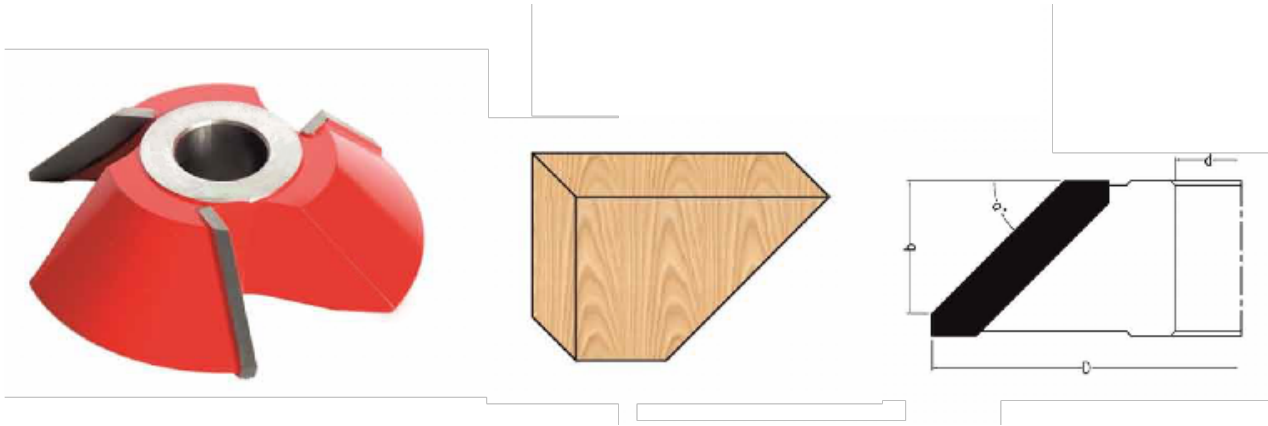
PART NO: 86 SERT METAL PLAKETLİ FREZE GÖBEK BIÇAĞI / PANEL RASING CUTTER T.C.T.

KOD	D (mm)	b (mm)	r1 (mm)	d (mm)	Z
DRB8601	180	16	6	30	3
DRB8602	180	16	6	30	3
DRB8603	180	16	6	30	3
DRB8604	180	19	5	30	3



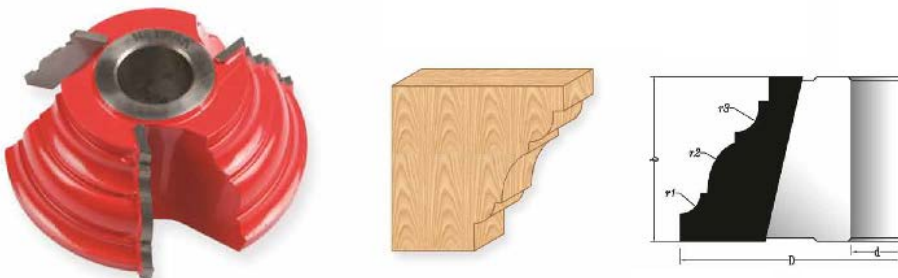
PART NO: 87 SERT METAL PLAKETLİ 45° FREZE PAH BIÇAĞI / PROFILE REUTER CUTTERS T.C.T.

KOD	D (mm)	b (mm)	a°	d (mm)	Z
DRB8701	120	30	45	30	3
DRB8702	140	40	45°	30	3
DRB8703	160	50	45°	30	3



PART NO: 88 SERT METAL PLAKETLİ FREZE TAÇ BIÇAĞI / PROFILE CUTTER BLOCK T.C.T.

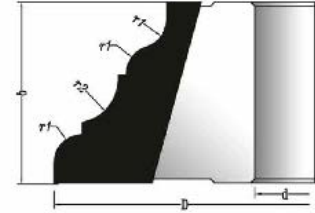
KOD	D (mm)	b (mm)	r1 (mm)	r2 (mm)	r3 (mm)	d (mm)	Z
DRB8801	130	48	6	10,50	7	30	3



BU GRUP İÇİN LÜTFEN FİYAT SORUNUZ.

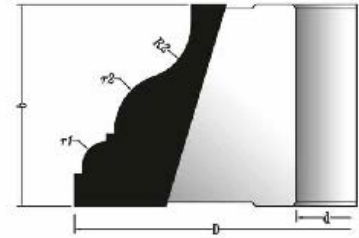
PART NO: 89 SERT METAL PLAKETLİ FREZE TAÇ BIÇAĞI / PROFILE CUTTER BLOCK T.C.T.

KOD	D (mm)	b (mm)	r1 (mm)	r2 (mm)	d (mm)	Z
DRB8901	130	45	7	11	30	3



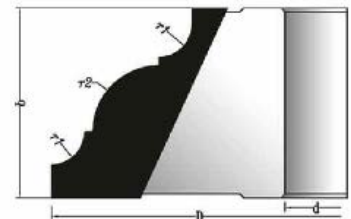
PART NO: 90 SERT METAL PLAKETLİ FREZE TAÇ BIÇAĞI / PROFILE CUTTER BLOCK T.C.T.

KOD	D (mm)	b (mm)	r1 (mm)	r2 (mm)	d (mm)	Z
DRB9001	140	50	6	14	30	3



PART NO: 91 SERT METAL PLAKETLİ FREZE TAÇ BIÇAĞI / PROFILE CUTTER BLOCK T.C.T.

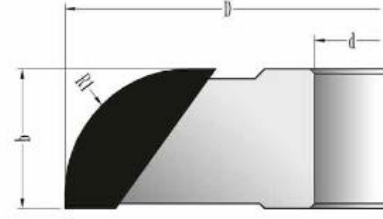
KOD	D (mm)	b (mm)	r1 (mm)	r2 (mm)	d (mm)	Z
DRB9101	140	46	8	16	30	3



BU GRUP İÇİN LÜTFEN FİYAT SORUNUZ.

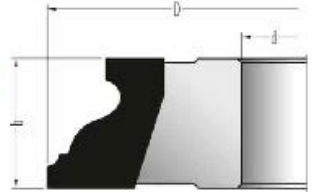
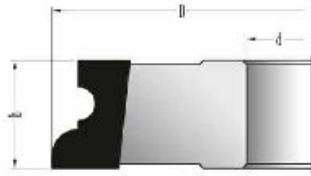
PART NO: 92 SERT METAL PLAKETLİ TERS YARIMAY FREZE BIÇAĞI / PROFILE CUTTER BLOCK T.C.T.

KOD	D (mm)	b (mm)	R1 (mm)	d (mm)	Z
DRB9201	120	18	15	30	3
DRB9202	120	23	20	30	3
DRB9203	130	28	25	30	3
DRB9204	130	32,50	30	30	3



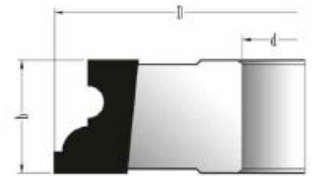
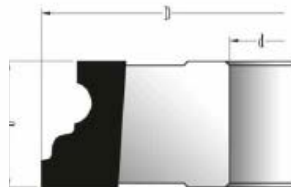
PART NO: 93 SERT METAL PLAKETLİ ÇİTA FREZE BIÇAĞI / PROFILE CUTTER BLOCK T.C.T.

KOD	D (mm)	b (mm)	d (mm)	Z
DRB9301	120	25	30	3
DRB9302	120	30	30	3
DRB9303	120	26	30	3



PART NO: 94 SERT METAL PLAKETLİ ÇİTA FREZE BIÇAĞI / PROFILE CUTTER BLOCK T.C.T.

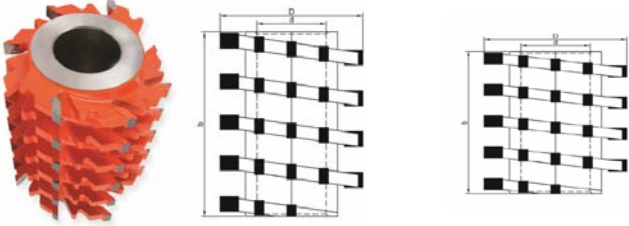
KOD	D (mm)	b (mm)	d (mm)	Z
DRB9401	120	30	30	3
DRB9402	120	27	30	3



BU GRUP İÇİN LÜTFEN FİYAT SORUNUZ.

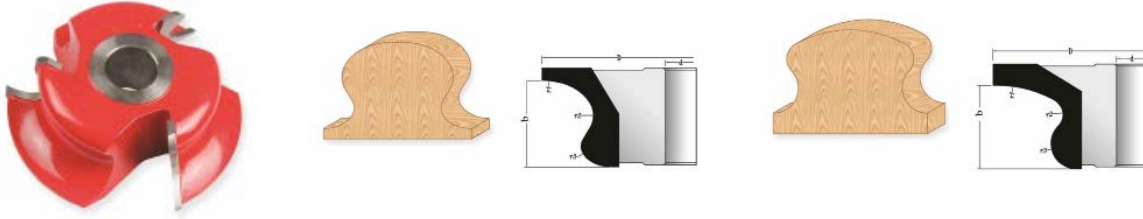
PART NO: 95 SERT METAL PLAKETLİ KIRICI DİŞLİ TEMİZLEME BİÇAĞI / COPYING - JOINING CUTTERS T.C.T.

KOD	D (mm)	b (mm)	d (mm)	Z
DRB9501	62	80	30	8
DRB9502	80	80	30	8
DRB9503	80	100	30	8
DRB9504	100	100	30	10
DRB9505	120	100	30	12



PART NO: 96 SERT METAL PLAKETLİ KÜPEŞTE BİÇAĞI / PROFILE CUTTER BLOCK T.C.T.

KOD	D (mm)	b (mm)	r1 (mm)	r2 (mm)	r3 (mm)	d (mm)	Z
DRB9601	150	42	36	11,80	6,80	30	3
DRB9602	150	40,70	57	8,25	12,30	30	3



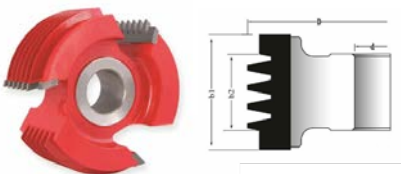
PART NO: 97 SERT METAL PLAKETLİ EN EKLEME BİÇAĞI / GLUE JOINT CUTTER BLOCK T.C.T.

KOD	D (mm)	b1 (mm)	b2 (mm)	d (mm)	Z
DRB9701	120	36	16	30	3
DRB9702	120	44	24	30	3



PART NO: 98 SERT METAL PLAKETLİ BOY EKLEME BİÇAĞI / GLUE JOINT CUTTER BLOCK T.C.T.

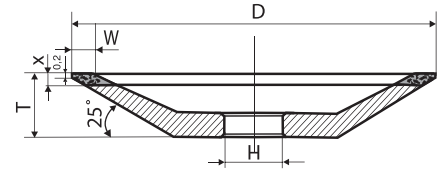
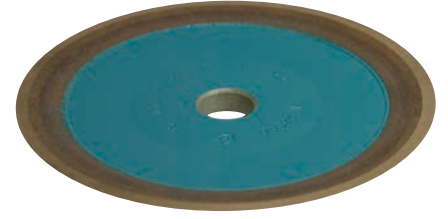
KOD	D (mm)	b1 (mm)	b2 (mm)	d (mm)	Z
DRB9801	120	40	24	30	3
DRB9802	120	48	32	30	3
DRB9803	120	56	40	30	3
DRB9804	120	64	48	30	3



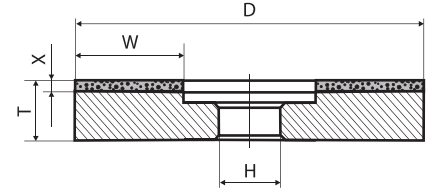
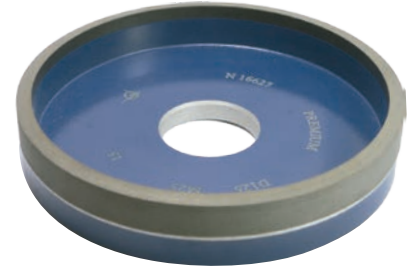
BU GRUP İÇİN LÜTFEN FİYAT SORUNUZ.

PART NO: 99 İÇ BİLEME TAŞI / DISH GRINDING WHEELS

KOD	D (mm)	T (mm)	W (mm)	X (mm)	H (mm)	FİYAT (PRICE)
5-0041	50	6	2	1,50	20	40,00 \$
5-0042	75	10	2	1,50	20-25	47,00 \$
5-1031	100	10	3	2	25-32	54,00 \$
5-1041	125	13	3	2	25-32	60,00 \$
5-1051	150	16	5	3	20-32	68,00 \$
9-3261	160	14	3	2	20-32	100,00 \$
3-3047	200	12	4	2	20-32	135,00 \$


PART NO: 100 TEPE BİLEME TAŞI / RECESSED FLAT GRINDING WHEELS

KOD	D (mm)	T (mm)	W (mm)	X (mm)	H (mm)	FİYAT (PRICE)
3K2671 Standart	100	24	5(2,5+2,5)	10	25	185,00 \$
3-0088 Standart	125	24	5(2,5+2,5)	10	32	225,00 \$
3K2671 Premium	100	24	5(2,5+2,5)	10	25	300,00 \$
3-0088 Premium	125	24	5(2,5+2,5)	10	32	435,00 \$


PART NO: 101 TAKIM BİLEME TAŞI / DISH GRINDING WHEELS

KOD	D (mm)	T (mm)	W (mm)	X (mm)	H (mm)	FİYAT (PRICE)
5-0006	75	10	6	2	16	40,00 \$
5-0008	100	12	6	2	20	47,00 \$
5-0010	125	16	6	2	20-32	54,00 \$
5-0011	125	16	10	2	20-32	60,00 \$
5-0013	150	18	6	2	20-32	60,00 \$
5-0014	150	18	10	2	20-32	68,00 \$
9-5016	175	21	10	2	20-32	100,00 \$
5-0018	200	22	10	2	20-32	135,00 \$

